

Quality  
UST Steel Strippers  
Urethane Strippers  
DAYStrip Strippers

# STRIPPERS



Global leader in  
providing fabrication  
and stamping solutions

[www.daytonprogress.com](http://www.daytonprogress.com)





## UST STEEL STRIPPERS

• AP_ UA	Steel Strippers, Regular	1.1
• AJ_ UA	Steel Strippers, Jektole®	1.2
• SP_ UA	Steel Strippers, Regular	1.3
• SJ_ UA	Steel Strippers, Jektole®	1.4
• BP_ UA	Steel Strippers, Regular	1.5
• BJ_ UA	Steel Strippers, Jektole®	1.6
• CP_ AU	Steel Strippers, Regular	1.7
• CJ_ AU	Steel Strippers, Jektole®	1.8
• Replacement Parts		1.9

## MISCELLANEOUS

• Urethane Strippers		2.1
----------------------	--	-----

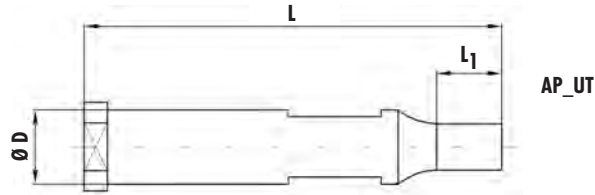
## DAYStrip Stripper

• Stripper	DAYStrip	3.1
	with Part Surface	3.2
	Assemblies	3.3

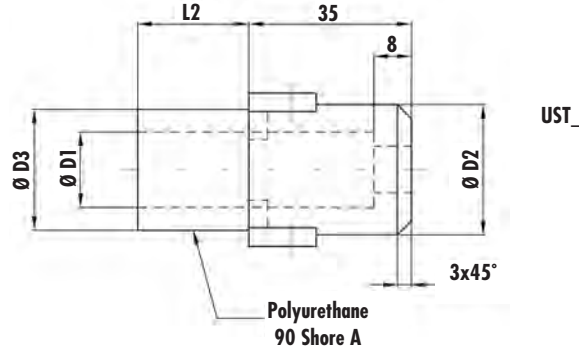


# STEEL STRIPPERS TYPE AP\_ UA

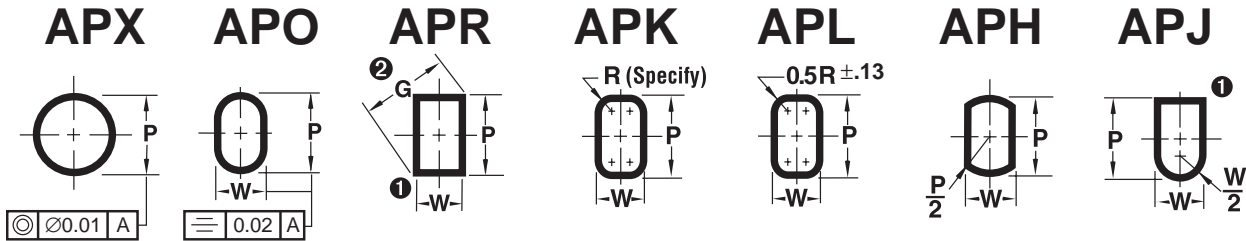
Material	HRC
A2 (HWS)	60-63
M2 (HSS)	60-63
PS	63-65
Head	40-55



Regular  
Punch Steel: A2 (Standard), M2 and PS – please specify when ordering



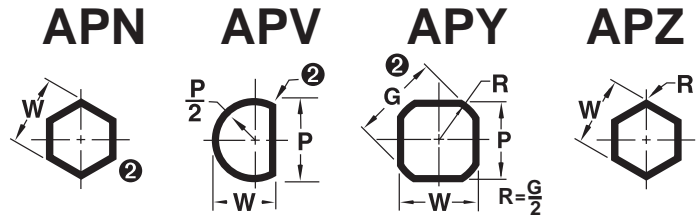
Stripper has 0.1 mm clearance around punch point.



1 Sharp corners are typical. To assure proper clearance, Dayton will provide standard broken corners if matrix is ordered with punch to eliminate interference with matrix fillet when total clearance is 0.08 or less.

2 Check your P&W dimensions to be sure the diagonal G does not exceed the max. shown. If G exceeds the max.

$$G = \sqrt{P^2 + W^2}$$



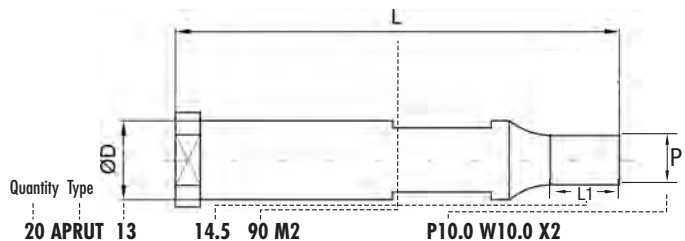
additional shapes available (on inquiry)

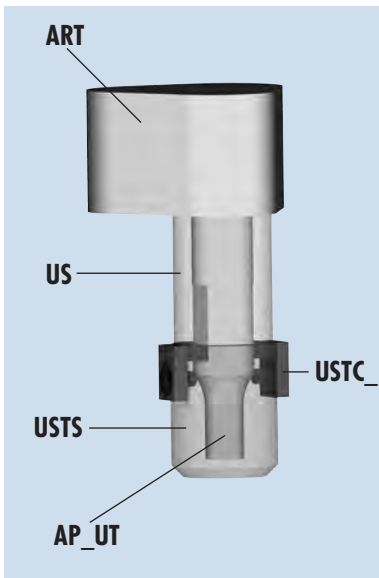
D	Point Length L1	Type & D	Range P	Type & D	Shape		L2			D1	D2	D3
					Min. W	Max. P/G	L = 80	L = 90	L = 100			
10	14.5	APXUT 10	2.10- 9.97	AP_UT 10	2.10- 9.97	24.8	34.8	44.8	10.2	22	20	
13	14.5	APXUT 13	4.50-12.97	AP_UT 13	4.50-12.97	24.8	34.8	44.8	13.2	25	23	
16	14.5	APXUT 16	6.00-15.97	AP_UT 16	6.00-15.97	24.8	34.8	44.8	16.2	28	26	
20	14.5	APXUT 20	8.00-19.97	AP_UT 20	8.00-19.97	24.8	34.8	44.8	20.2	32	30	
25	14.5	APXUT 25	13.10-24.97	AP_UT 25	13.10-24.97	24.8	34.8	44.8	25.2	38	36	

For replacement parts see page 2.1.1

## How to order:

Punch





Screw secure with loctite

D	L	Retainer	USTSX (round) Stripper	USTS_ (shape) Stripper	Polyurethane Spring	Force N	Stripping Stroke max. mm
10	80	ART10	USTSX10	USTS_10	US10 24,8	1710	10
	90	ART10	USTSX10	USTS_10	US10 34,8	1200	10
	100	ART10	USTSX10	USTS_10	US10 44,8	940	10
13	80	ART13	USTSX13	USTS_13	US13 24,8	1730	10
	90	ART13	USTSX13	USTS_13	US13 34,8	1220	10
	100	ART13	USTSX13	USTS_13	US13 44,8	960	10
16	80	ART16	USTSX16	USTS_16	US16 24,8	2650	10
	90	ART16	USTSX16	USTS_16	US16 34,8	1860	10
	100	ART16	USTSX16	USTS_16	US16 44,8	1460	10
20	80	ART20	USTSX20	USTS_20	US20 24,8	4390	10
	90	ART20	USTSX20	USTS_20	US20 34,8	3070	10
	100	ART20	USTSX20	USTS_20	US20 44,8	2410	10
25	80	ART25	USTSX25	USTS_25	US25 24,8	5000	10
	90	ART25	USTSX25	USTS_25	US25 34,8	3500	10
	100	ART25	USTSX25	USTS_25	US25 44,8	2750	10

## Standard Alteration for UST Punches

**XN** DayTride® a unique wear resistant surface treatment for M2 and PS only.

**XNM** An exclusive PVD solidlubricant coating. It provides a combination of lubricity and wear resistance not available from other PVD or CVD techniques. Produces a coefficient of friction lower than other coatings. Available on M2 and PS.

**XNT** DAYTiN® Titanium Nitride coating for extra wear. For M2 and PS only.

**XCN** TiCN® PVD coating ultra hardness (harder than carbide) and superior abrasive wear resistance. For M2 and PS only.

### Locking Device

The standard location for a key flat is Parallel to the P dimensions. Additional informations in Press Fit catalog.

### How to order:

- Punch
- USTS (Head)
- US (Spring)
- Clip
- Assembly

**APRUT 13 14.5 90 M2 P10.0 W10.0 X2**

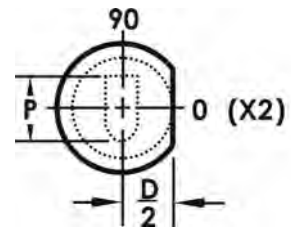
**USTSR 13 P10.0 W6.0\***

**US 13 24.8**

**USTC 1**

**APRUA\*\* 13 14.5 90 M2 P10.0 W6.0\***

\* The steel stripper will be delivered with an allowance on P and W of 0.1 mm.



### \*\*Assembly order:



**Assembly: UST\_** (contains head USTS\_; urethane US and clips)

How to order: USTX 13 P10.5 US24.8  
USTO 16 P12.0 W9.3 U34.8



**Assembly: \_UA** (contains assembly UST\_; punch \_UT and polygon retainer)

How to order: APRUA 13 14.5 90 M2 P10.0 W6.0



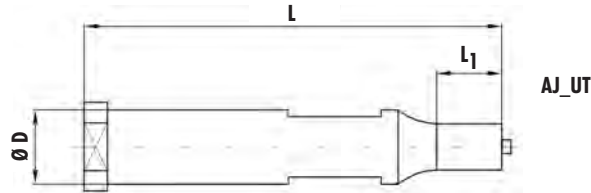
**Assembly: \_US** (contains assembly UST\_; punch \_UT without polygon retainer)

How to order: APRUS 13 14.5 90 M2 P10.0 W6.0

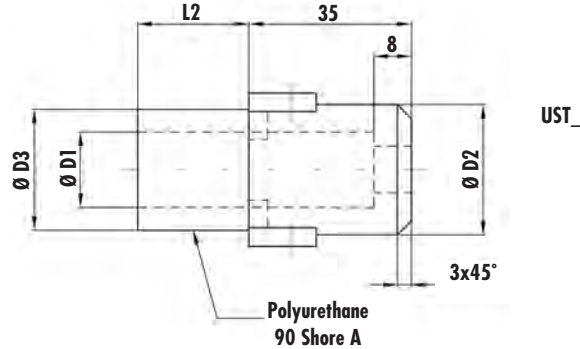


# STEEL STRIPPERS TYPE AJ\_ UA JEKTOLE®

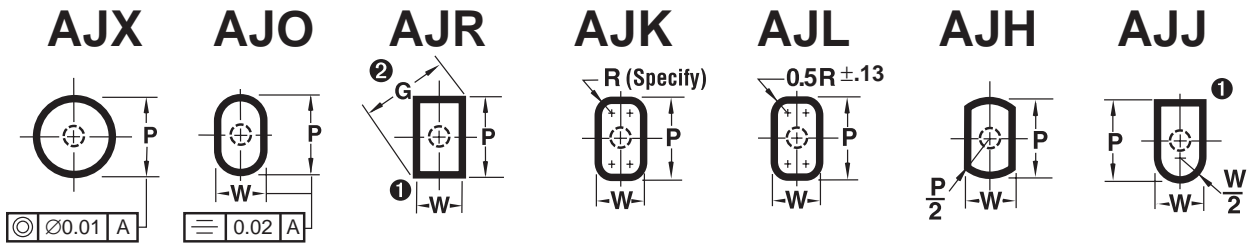
Material	HRC
A2 (HWS)	60-63
M2 (HSS)	60-63
PS	63-65
Head	40-55



Jektol®  
Punch Steel: A2 (Standard), M2 and PS – please specify when ordering



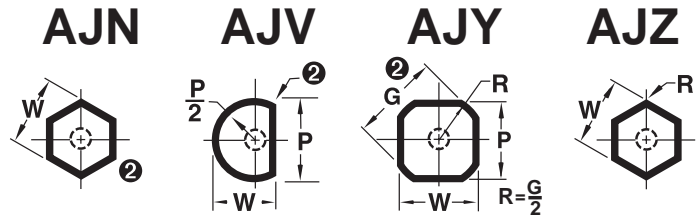
Stripper has 0.1 mm clearance around punch point.



1 Sharp corners are typical. To assure proper clearance, Dayton will provide standard broken corners if matrix is ordered with punch to eliminate interference with matrix fillet when total clearance is 0.08 or less.

2 Check your P&W dimensions to be sure the diagonal G does not exceed the max. shown. If G exceeds the max.

$$G = \sqrt{P^2 + W^2}$$



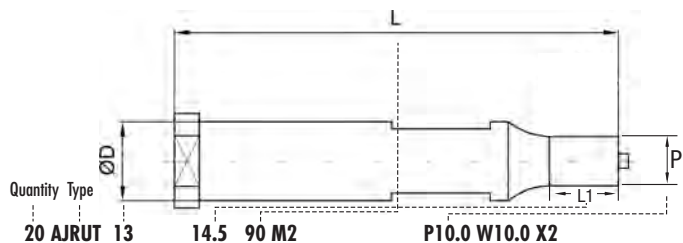
additional shapes available (on inquiry)

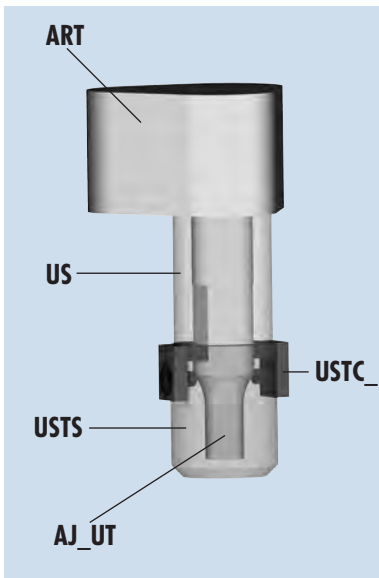
D	Point Length L1	Type & D	Range P	Type & D	Shape		L2			D1	D2	D3
					Min. W	Max. P/G	L = 80	L = 90	L = 100			
10	14.5	AJXUT 10	2.10- 9.97	AJ_UT 10	2.10- 9.97	24.8	34.8	44.8	10.2	22	20	
13	14.5	AJXUT 13	4.50-12.97	AJ_UT 13	4.50-12.97	24.8	34.8	44.8	13.2	25	23	
16	14.5	AJXUT 16	6.00-15.97	AJ_UT 16	6.00-15.97	24.8	34.8	44.8	16.2	28	26	
20	14.5	AJXUT 20	8.00-19.97	AJ_UT 20	8.00-19.97	24.8	34.8	44.8	20.2	32	30	
25	14.5	AJXUT 25	13.10-24.97	AJ_UT 25	13.10-24.97	24.8	34.8	44.8	25.2	38	36	

For replacement parts see page 2.1.1

## How to order:

Punch





Screw secure with loctite

D	L	Retainer	USTSX (round) Stripper	USTS_ (shape) Stripper	Polyurethane Spring	Force N	Stripping Stroke max. mm
10	80	ART10	USTSX10	USTS_10	US10 24,8	1710	10
	90	ART10	USTSX10	USTS_10	US10 34,8	1200	10
	100	ART10	USTSX10	USTS_10	US10 44,8	940	10
13	80	ART13	USTSX13	USTS_13	US13 24,8	1730	10
	90	ART13	USTSX13	USTS_13	US13 34,8	1220	10
	100	ART13	USTSX13	USTS_13	US13 44,8	960	10
16	80	ART16	USTSX16	USTS_16	US16 24,8	2650	10
	90	ART16	USTSX16	USTS_16	US16 34,8	1860	10
	100	ART16	USTSX16	USTS_16	US16 44,8	1460	10
20	80	ART20	USTSX20	USTS_20	US20 24,8	4390	10
	90	ART20	USTSX20	USTS_20	US20 34,8	3070	10
	100	ART20	USTSX20	USTS_20	US20 44,8	2410	10
25	80	ART25	USTSX25	USTS_25	US25 24,8	5000	10
	90	ART25	USTSX25	USTS_25	US25 34,8	3500	10
	100	ART25	USTSX25	USTS_25	US25 44,8	2750	10

## Standard Alteration for UST Punches

**XN** DayTride® a unique wear resistant surface treatment for M2 and PS only.

**XNM** An exclusive PVD solidlubricant coating. It provides a combination of lubricity and wear resistance not available from other PVD or CVD techniques. Produces a coefficient of friction lower than other coatings. Available on M2 and PS.

**XNT** DAYTiN® Titanium Nitride coating for extra wear. For M2 and PS only.

**XCN** TiCN® PVD coating ultra hardness (harder than carbide) and superior abrasive wear resistance. For M2 and PS only.

### Locking Device

The standard location for a key flat is Parallel to the P dimensions. Additional informations in Press Fit catalog.

### How to order:

- Punch
- USTS (Head)
- US (Spring)
- Clip
- Assembly

**AJRUT 13 14.5 90 M2 P10.0 W10.0 X2**

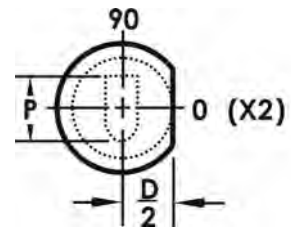
**USTSR 13 P10.0 W6.0\***

**US 13 24.8**

**USTC 1**

**AJRUA\*\* 13 14.5 90 M2 P10.0 W6.0\***

\* The steel stripper will be delivered with an allowance on P and W of 0.1 mm.



### \*\*Assembly order:



**Assembly: UST\_** (contains head USTS\_; urethane US and clips)

How to order: USTX 13 P10.5 US24.8  
USTO 16 P12.0 W9.3 U34.8



**Assembly: \_UA** (contains assembly UST\_; punch \_UT and polygon retainer)

How to order: AJRUA 13 14.5 90 M2 P10.0 W6.0



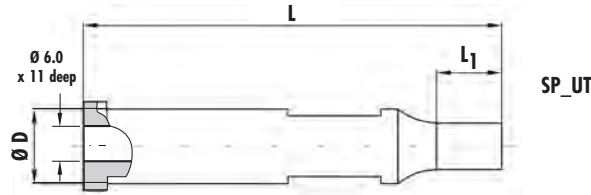
**Assembly: \_US** (contains assembly UST\_; punch \_UT without polygon retainer)

How to order: AJRUS 13 14.5 90 M2 P10.0 W6.0

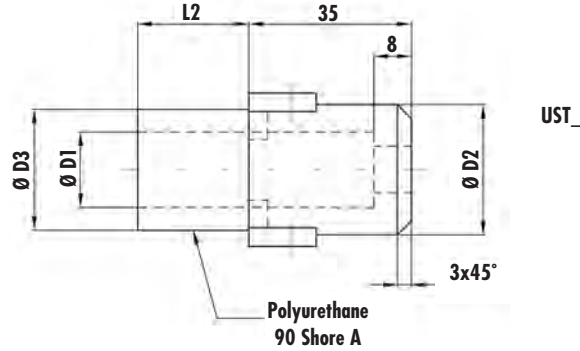


# STEEL STRIPPERS TYPE SP\_UA

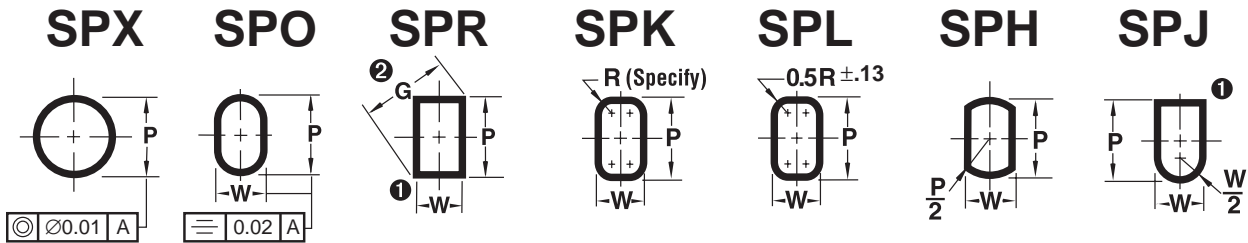
Material	HRC
A2 (HWS)	60-63
M2 (HSS)	60-63
PS	63-65
Head	40-55



Regular  
Punch Steel: A2 (Standard), M2 and PS – please specify when ordering



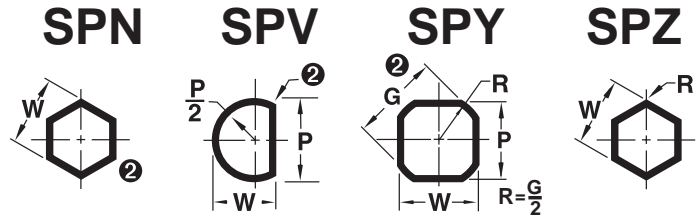
Stripper has 0.1 mm clearance around punch point.



1 Sharp corners are typical. To assure proper clearance, Dayton will provide standard broken corners if matrix is ordered with punch to eliminate interference with matrix fillet when total clearance is 0.08 or less.

2 Check your P&W dimensions to be sure the diagonal G does not exceed the max. shown. If G exceeds the max.

$$G = \sqrt{P^2 + W^2}$$



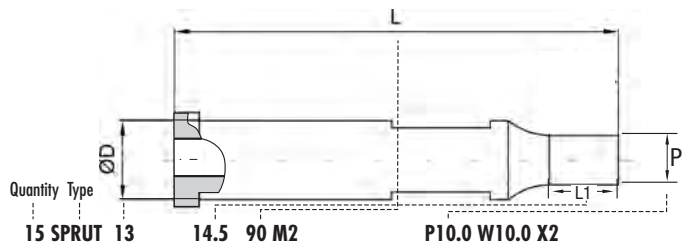
additional shapes available (on inquiry)

D	Point Length L1	Type & D	Range P	Type & D	Shape		L2			D1	D2	D3
					Min. W	Max. P/G	L = 80	L = 90	L = 100			
10	14.5	SPXUT 10	2.10- 9.97	SP_UT 10	2.10- 9.97	24.8	34.8	44.8	10.2	22	20	
13	14.5	SPXUT 13	4.50-12.97	SP_UT 13	4.50-12.97	24.8	34.8	44.8	13.2	25	23	
16	14.5	SPXUT 16	6.00-15.97	SP_UT 16	6.00-15.97	24.8	34.8	44.8	16.2	28	26	
20	14.5	SPXUT 20	8.00-19.97	SP_UT 20	8.00-19.97	24.8	34.8	44.8	20.2	32	30	
25	14.5	SPXUT 25	13.10-24.97	SP_UT 25	13.10-24.97	24.8	34.8	44.8	25.2	38	36	

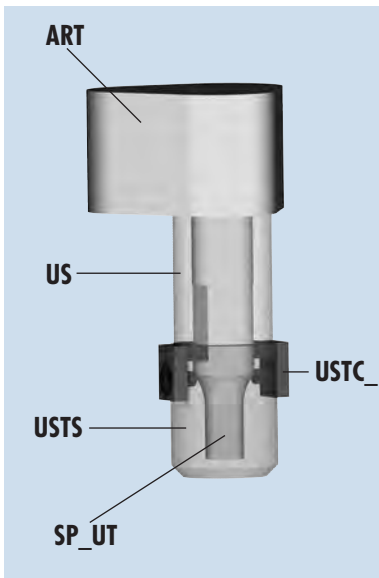
For replacement parts see page 2.1.1

## How to order:

Punch







Screw secure with loctite

D	L	Retainer	USTSX (round) Stripper	USTS_ (shape) Stripper	Polyurethane Spring	Force N	Stripping Stroke max. mm
10	80	ART10	USTSX10	USTS_10	US10 24,8	1710	10
	90	ART10	USTSX10	USTS_10	US10 34,8	1200	10
	100	ART10	USTSX10	USTS_10	US10 44,8	940	10
13	80	ART13	USTSX13	USTS_13	US13 24,8	1730	10
	90	ART13	USTSX13	USTS_13	US13 34,8	1220	10
	100	ART13	USTSX13	USTS_13	US13 44,8	960	10
16	80	ART16	USTSX16	USTS_16	US16 24,8	2650	10
	90	ART16	USTSX16	USTS_16	US16 34,8	1860	10
	100	ART16	USTSX16	USTS_16	US16 44,8	1460	10
20	80	ART20	USTSX20	USTS_20	US20 24,8	4390	10
	90	ART20	USTSX20	USTS_20	US20 34,8	3070	10
	100	ART20	USTSX20	USTS_20	US20 44,8	2410	10
25	80	ART25	USTSX25	USTS_25	US25 24,8	5000	10
	90	ART25	USTSX25	USTS_25	US25 34,8	3500	10
	100	ART25	USTSX25	USTS_25	US25 44,8	2750	10

## Standard Alteration for UST Punches

**XN** DayTride® a unique wear resistant surface treatment for M2 and PS only.

**XNM** An exclusive PVD solidlubricant coating. It provides a combination of lubricity and wear resistance not available from other PVD or CVD techniques. Produces a coefficient of friction lower than other coatings. Available on M2 and PS.

**XNT** DAYTiN® Titanium Nitride coating for extra wear. For M2 and PS only.

**XCN** TiCN® PVD coating ultra hardness (harder than carbide) and superior abrasive wear resistance. For M2 and PS only.

### Locking Device

The standard location for a key flat is Parallel to the P dimensions. Additional informations in Press Fit catalog.

### How to order:

- Punch
- USTS (Head)
- US (Spring)
- Clip
- Assembly

**SPRUT 13 14.5 90 M2 P10.0 W10.0 X2**

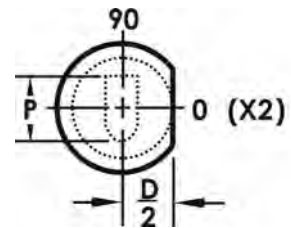
**USTSR 13 P10.0 W6.0\***

**US 13 24.8**

**USTC 1**

**SPRUA\*\* 13 14.5 90 M2 P10.0 W6.0\***

\* The steel stripper will be delivered with an allowance on P and W of 0.1 mm.



### \*\*Assembly order:



**Assembly: UST\_** (contains head USTS\_; urethane US and clips)

How to order: USTX 13 P10.5 US24.8  
USTO 16 P12.0 W9.3 U34.8



**Assembly: \_UA** (contains assembly UST\_; punch \_UT and polygon retainer)

How to order: SPRUA 13 14.5 90 M2 P10.0 W6.0



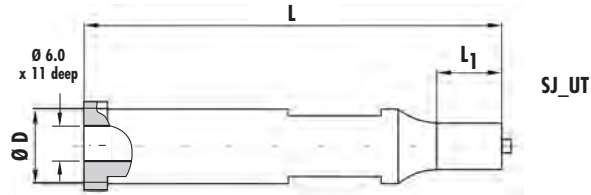
**Assembly: \_US** (contains assembly UST\_; punch \_UT without polygon retainer)

How to order: SPRUS 13 14.5 90 M2 P10.0 W6.0

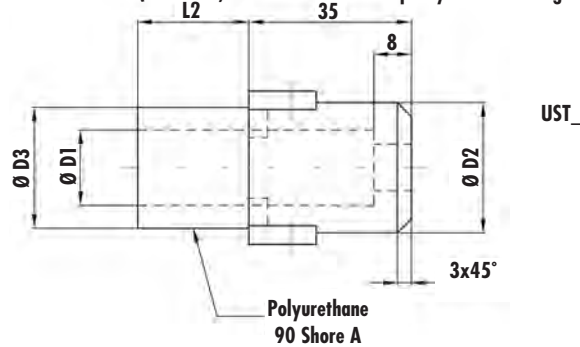


# STEEL STRIPPERS TYPE SJ\_ UA JEKTOLE®

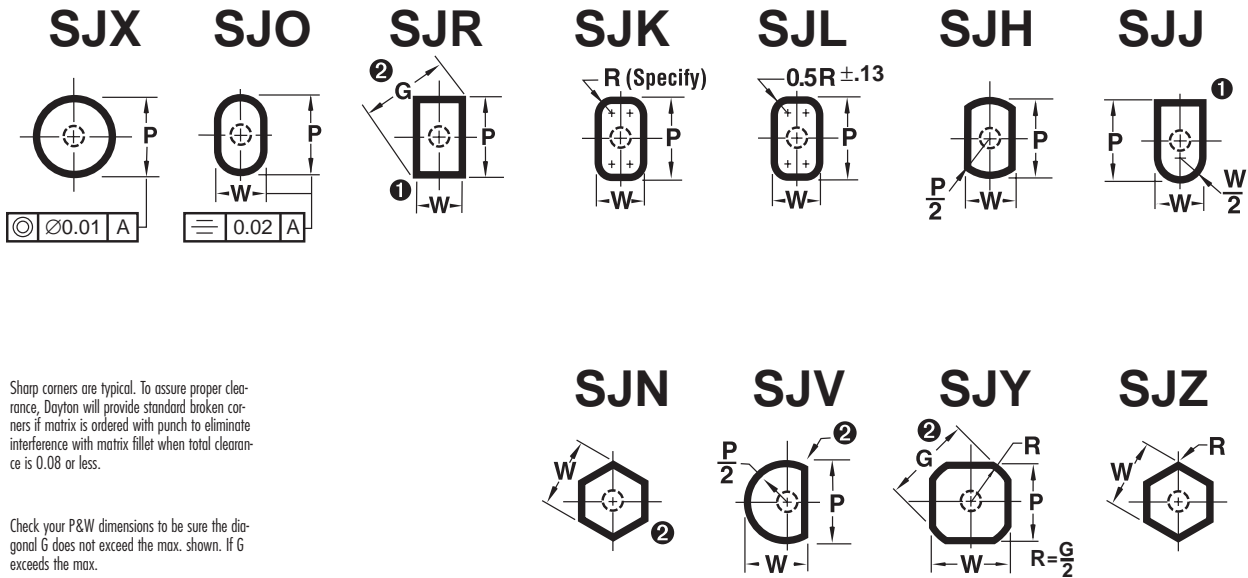
Material	HRC
A2 (HWS)	60-63
M2 (HSS)	60-63
PS	63-65
Head	40-55



Jektol®  
Punch Steel: A2 (Standard), M2 and PS – please specify when ordering



Stripper has 0.1 mm clearance around punch point.



1 Sharp corners are typical. To assure proper clearance, Dayton will provide standard broken corners if matrix is ordered with punch to eliminate interference with matrix fillet when total clearance is 0.08 or less.

2 Check your P&W dimensions to be sure the diagonal G does not exceed the max. shown. If G exceeds the max.

$$G = \sqrt{P^2 + W^2}$$

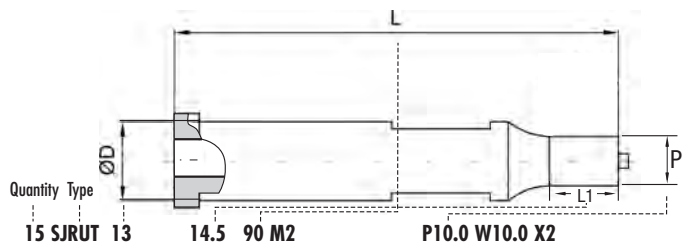
additional shapes available (on inquiry)

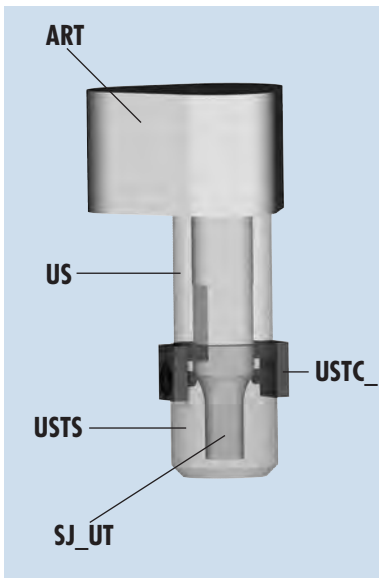
D	Point Length L1	Type & D	Range P	Type & D	Shape		L2			D1	D2	D3
					Min. W	Max. P/G	L = 80	L = 90	L = 100			
10	14.5	SJXUT 10	2.10- 9.97	SJ_UT 10	2.10- 9.97	24.8	34.8	44.8	10.2	22	20	
13	14.5	SJXUT 13	4.50-12.97	SJ_UT 13	4.50-12.97	24.8	34.8	44.8	13.2	25	23	
16	14.5	SJXUT 16	6.00-15.97	SJ_UT 16	6.00-15.97	24.8	34.8	44.8	16.2	28	26	
20	14.5	SJXUT 20	8.00-19.97	SJ_UT 20	8.00-19.97	24.8	34.8	44.8	20.2	32	30	
25	14.5	SJXUT 25	13.10-24.97	SJ_UT 25	13.10-24.97	24.8	34.8	44.8	25.2	38	36	

For replacement parts see page 2.1.1

## How to order:

Punch





Screw secure with Loctite

D	L	Retainer	USTSX (round) Stripper	USTS_ (shape) Stripper	Polyurethane Spring	Force N	Stripping Stroke max. mm
10	80	ART10	USTSX10	USTS_10	US10 24,8	1710	10
	90	ART10	USTSX10	USTS_10	US10 34,8	1200	10
	100	ART10	USTSX10	USTS_10	US10 44,8	940	10
13	80	ART13	USTSX13	USTS_13	US13 24,8	1730	10
	90	ART13	USTSX13	USTS_13	US13 34,8	1220	10
	100	ART13	USTSX13	USTS_13	US13 44,8	960	10
16	80	ART16	USTSX16	USTS_16	US16 24,8	2650	10
	90	ART16	USTSX16	USTS_16	US16 34,8	1860	10
	100	ART16	USTSX16	USTS_16	US16 44,8	1460	10
20	80	ART20	USTSX20	USTS_20	US20 24,8	4390	10
	90	ART20	USTSX20	USTS_20	US20 34,8	3070	10
	100	ART20	USTSX20	USTS_20	US20 44,8	2410	10
25	80	ART25	USTSX25	USTS_25	US25 24,8	5000	10
	90	ART25	USTSX25	USTS_25	US25 34,8	3500	10
	100	ART25	USTSX25	USTS_25	US25 44,8	2750	10

## Standard Alteration for UST Punches

**XN** DayTride® a unique wear resistant surface treatment for M2 and PS only.

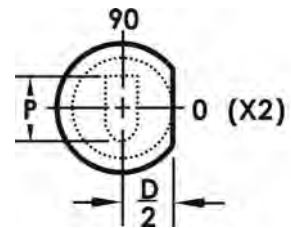
**XNM** An exclusive PVD solidlubricant coating. It provides a combination of lubricity and wear resistance not available from other PVD or CVD techniques. Produces a coefficient of friction lower than other coatings. Available on M2 and PS.

**XNT** DAYTiN® Titanium Nitride coating for extra wear. For M2 and PS only.

**XCN** TiCN® PVD coating ultra hardness (harder than carbide) and superior abrasive wear resistance. For M2 and PS only.

### Locking Device

The standard location for a key flat is Parallel to the P dimensions. Additional informations in Press Fit catalog.



### How to order:

- Punch
- USTS (Head)
- US (Spring)
- Clip
- Assembly

**SJRUT 13 14.5 90 M2 P10.0 W10.0 X2**

**USTSR 13 P10.0 W6.0\***

**US 13 24.8**

**USTC 1**

**SJRUA\*\* 13 14.5 90 M2 P10.0 W6.0\***

\* The steel stripper will be delivered with an allowance on P and W of 0.1 mm.

### \*\*Assembly order:



**Assembly: UST\_** (contains head USTS\_; urethane US and clips)

How to order: USTX 13 P10.5 US24.8  
USTO 16 P12.0 W9.3 U34.8



**Assembly: \_UA** (contains assembly UST\_; punch \_UT and polygon retainer)

How to order: SJRUA 13 14.5 90 M2 P10.0 W6.0



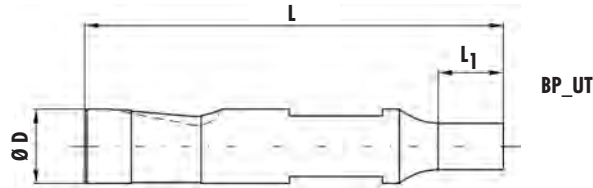
**Assembly: \_US** (contains assembly UST\_; punch \_UT without polygon retainer)

How to order: SJRUS 13 14.5 90 M2 P10.0 W6.0

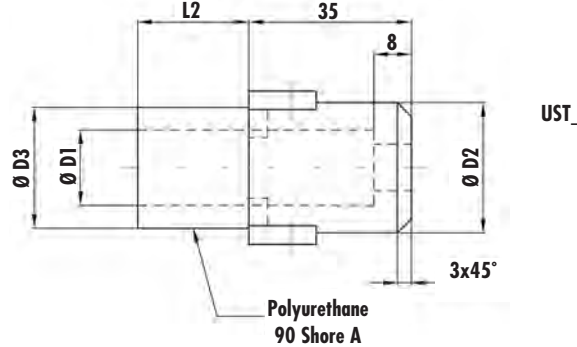


# STEEL STRIPPERS TYPE BP\_UA

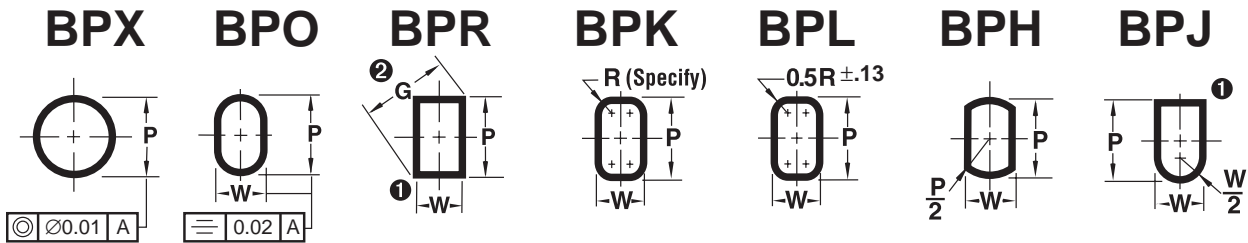
Material	HRC
M2 (HSS)	60-63
PS	63-65



Regular  
Punch Steel: M2 and PS – please specify when ordering



Stripper has 0.1 mm clearance around punch point.



1 Sharp corners are typical. To assure proper clearance, Dayton will provide standard broken corners if matrix is ordered with punch to eliminate interference with matrix fillet when total clearance is 0.08 or less.

2 Check your P&W dimensions to be sure the diagonal G does not exceed the max. shown. If G exceeds the max.

$$G = \sqrt{P^2 + W^2}$$

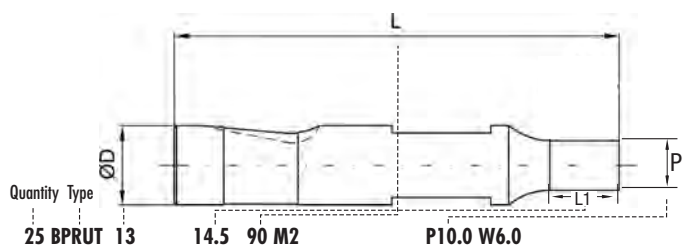
additional shapes available (on inquiry)

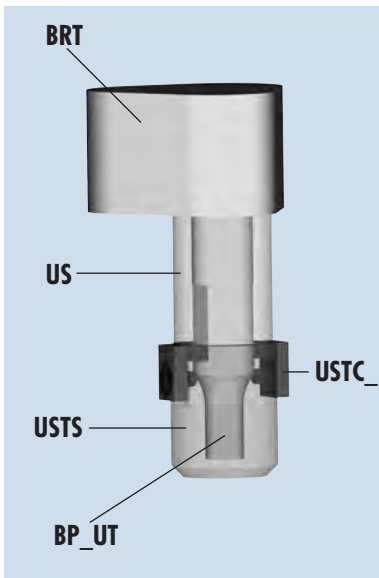
D	Point Length	Type & D	Range (Standard) P	Type & D	Shape		L2			D1	D2	D3
	L1				Min. W	Max. P/G	L = 80	L = 90	L = 100			
10	14.5	BPXUT 10	2.10- 9.97	BP_UT 10	2.10- 9.97	—	24.8	34.8	10.2	22	20	
13	14.5	BPXUT 13	4.50-12.97	BP_UT 13	4.50-12.97	—	24.8	34.8	13.2	25	23	
16	14.5	BPXUT 16	6.00-15.97	BP_UT 16	6.00-15.97	—	24.8	34.8	16.2	28	26	
20	14.5	BPXUT 20	8.00-19.97	BP_UT 20	8.00-19.97	—	24.8	34.8	20.2	32	30	
25	14.5	BPXUT 25	13.10-24.97	BP_UT 25	13.10-24.97	—	24.8	34.8	25.2	38	36	

For replacement parts see page 2.1.1

## How to order:

Punch





Screw secure with loctite

D	L	Retainer	USTSX (round Stripper)	USTS_ (shape Stripper)	Polyurethane Spring	Force N	Stripping Stroke max. mm
10	90	BRT10	USTSX10	USTS_10	US10 24,8	1710	10
	100	BRT10	USTSX10	USTS_10	US10 34,8	1200	10
13	90	BRT13	USTSX13	USTS_13	US13 24,8	1730	10
	100	BRT13	USTSX13	USTS_13	US13 34,8	1220	10
16	90	BRT16	USTSX16	USTS_16	US16 24,8	2650	10
	100	BRT16	USTSX16	USTS_16	US16 34,8	1860	10
20	90	BRT20	USTSX20	USTS_20	US20 24,8	4390	10
	100	BRT20	USTSX20	USTS_20	US20 34,8	3070	10
25	90	BRT25	USTSX25	USTS_25	US25 24,8	5000	10
	100	BRT25	USTSX25	USTS_25	US25 34,8	3500	10

## Standard Alteration for UST Punches

**XN** DayTride® a unique wear resistant surface treatment for M2 and PS only.

**XNM** An exclusive PVD solidlubricant coating. It provides a combination of lubricity and wear resistance not available from other PVD or CVD techniques. Produces a coefficient of friction lower than other coatings. Available on M2 and PS.

**XNT** DAYTiN® Titanium Nitride coating for extra wear. For M2 and PS only.

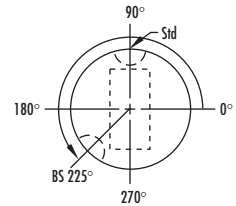
**XCN** TiCN® PVD coating ultra hardness (harder than carbide) and superior abrasive wear resistance. For M2 and PS only.

### Standard Ball Seat Locations

Standard Ball Seat Location is at 90°. Alternate locations of 0°, 180° or 270° can be specified at no additional cost.

### Custom Ball Seat Locations

Custom ball Seat Locations can be specified as BS and degree counter-clockwise from 0°.



### How to order:

- Punch
- USTS (Head)
- US (Spring)
- Clip
- Assembly

**BPRUT 13 14.5 90 M2 P10.0 W6.0**

**USTSR 13 P10.0 W6.0\***

**US 13 24.8**

**USTC 1**

**BPRUA\*\* 13 14.5 90 M2 P10.0 W6.0\***

\* The steel stripper will be delivered with an allowance on P and W of 0.1 mm.

### \*\*Assembly order:



**Assembly: UST\_** (contains head USTS\_ ; urethane US and clips)

How to order: USTX 13 P10.5 US24.8  
USTO 16 P12.0 W9.3 U34.8



**Assembly: \_UA** (contains assembly UST\_ ; punch \_UT and polygon retainer)

How to order: BPRUA 13 14.5 90 M2 P10.0 W6.0



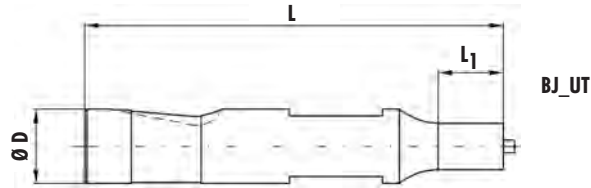
**Assembly: \_US** (contains assembly UST\_ ; punch \_UT without polygon retainer)

How to order: BPRUS 13 14.5 90 M2 P10.0 W6.0

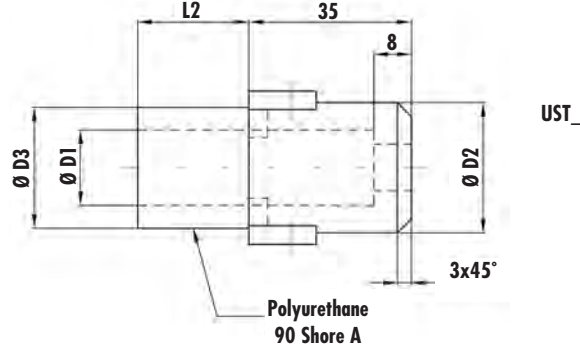


# STEEL STRIPPERS TYPE BJ\_ UA JEKTOLE®

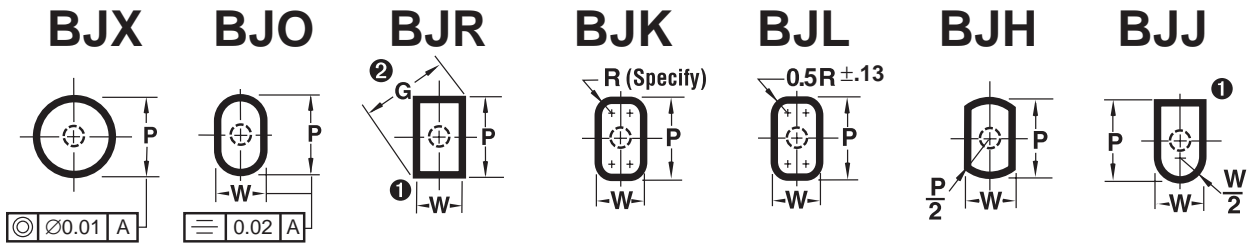
Material	HRC
M2 (HSS)	60-63
PS	63-65



Jektol®  
Punch Steel: M2 and PS – please specify when ordering



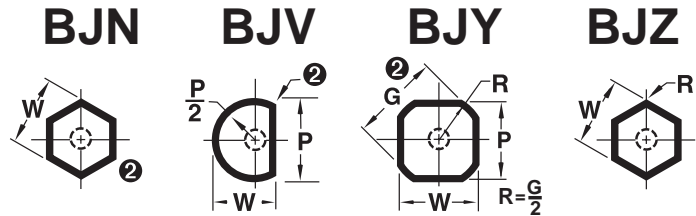
Stripper has 0.1 mm clearance around punch point.



1 Sharp corners are typical. To assure proper clearance, Dayton will provide standard broken corners if matrix is ordered with punch to eliminate interference with matrix fillet when total clearance is 0.08 or less.

2 Check your P&W dimensions to be sure the diagonal G does not exceed the max. shown. If G exceeds the max.

$$G = \sqrt{P^2 + W^2}$$



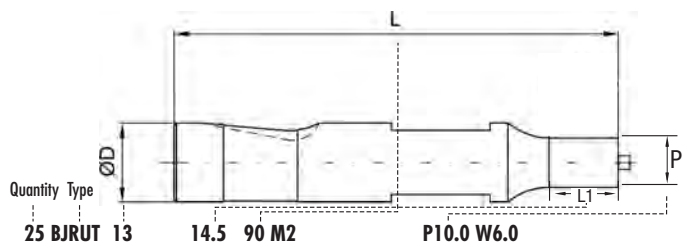
additional shapes available (on inquiry)

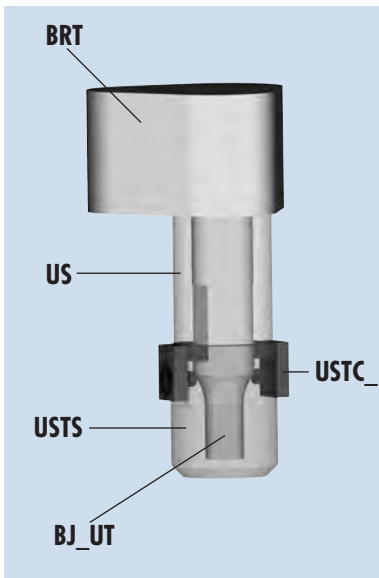
D	Point Length L1	Type & D	Range (Standard) P	Type & D	Shape		L2			D1	D2	D3
					Min. W	Max. P/G	L = 80	L = 90	L = 100			
10	14.5	BJXUT 10	2.10- 9.97	BJ_UT 10	2.10- 9.97	—	24.8	34.8	10.2	22	20	
13	14.5	BJXUT 13	4.50-12.97	BJ_UT 13	4.50-12.97	—	24.8	34.8	13.2	25	23	
16	14.5	BJXUT 16	6.00-15.97	BJ_UT 16	6.00-15.97	—	24.8	34.8	16.2	28	26	
20	14.5	BJXUT 20	8.00-19.97	BJ_UT 20	8.00-19.97	—	24.8	34.8	20.2	32	30	
25	14.5	BJXUT 25	13.10-24.97	BJ_UT 25	13.10-24.97	—	24.8	34.8	25.2	38	36	

For replacement parts see page 2.1.1

## How to order:

Punch





Screw secure with loctite

D	L	Retainer	USTSX (round) Stripper	USTS_ (shape) Stripper	Polyurethane Spring	Force N	Stripping Stroke max. mm
10	90	BRT10	USTSX10	USTS_10	US10 24,8	1710	10
	100	BRT10	USTSX10	USTS_10	US10 34,8	1200	10
13	90	BRT13	USTSX13	USTS_13	US13 24,8	1730	10
	100	BRT13	USTSX13	USTS_13	US13 34,8	1220	10
16	90	BRT16	USTSX16	USTS_16	US16 24,8	2650	10
	100	BRT16	USTSX16	USTS_16	US16 34,8	1860	10
20	90	BRT20	USTSX20	USTS_20	US20 24,8	4390	10
	100	BRT20	USTSX20	USTS_20	US20 34,8	3070	10
25	90	BRT25	USTSX25	USTS_25	US25 24,8	5000	10
	100	BRT25	USTSX25	USTS_25	US25 34,8	3500	10

## Standard Alteration for UST Punches

**XN** DayTride® a unique wear resistant surface treatment for M2 and PS only.

**XNM** An exclusive PVD solidlubricant coating. It provides a combination of lubricity and wear resistance not available from other PVD or CVD techniques. Produces a coefficient of friction lower than other coatings. Available on M2 and PS.

**XNT** DAYTiN® Titanium Nitride coating for extra wear. For M2 and PS only.

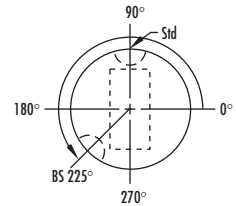
**XCN** TiCN® PVD coating ultra hardness (harder than carbide) and superior abrasive wear resistance. For M2 and PS only.

### Standard Ball Seat Locations

Standard Ball Seat Location is at 90°. Alternate locations of 0°, 180° or 270° can be specified at no additional cost.

### Custom Ball Seat Locations

Custom ball Seat Locations can be specified as BS and degree counter-clockwise from 0°.



### How to order:

- Punch
- USTS (Head)
- US (Spring)
- Clip
- Assembly

**BJRUT 13 14.5 90 M2 P10.0 W6.0**

**USTSR 13 P10.0 W6.0\***

**US 13 24.8**

**USTC 1**

**BJRUA\*\* 13 14.5 90 M2 P10.0 W6.0\***

\* The steel stripper will be delivered with an allowance on P and W of 0.1 mm.

### \*\*Assembly order:



**Assembly: UST\_** (contains head USTS\_ ; urethane US and clips)

How to order: USTX 13 P10.5 US24.8  
USTO 16 P12.0 W9.3 U34.8



**Assembly: \_UA** (contains assembly UST\_ ; punch \_UT and polygon retainer)

How to order: BJRUA 13 14.5 90 M2 P10.0 W6.0



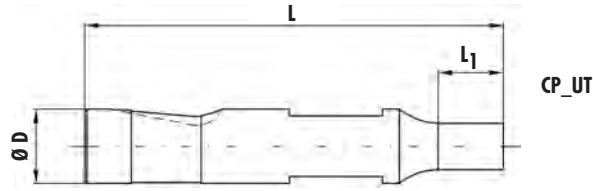
**Assembly: \_US** (contains assembly UST\_ ; punch \_UT without polygon retainer)

How to order: BJRUS 13 14.5 90 M2 P10.0 W6.0

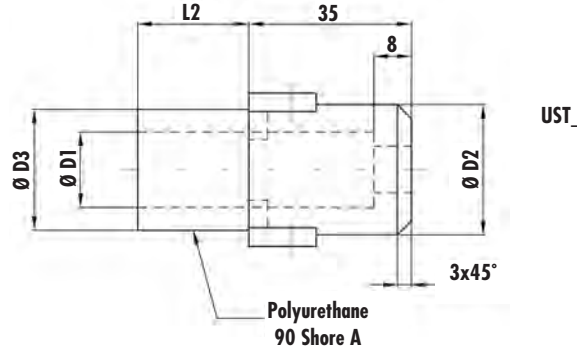


# STEEL STRIPPERS TYPE CP\_UA

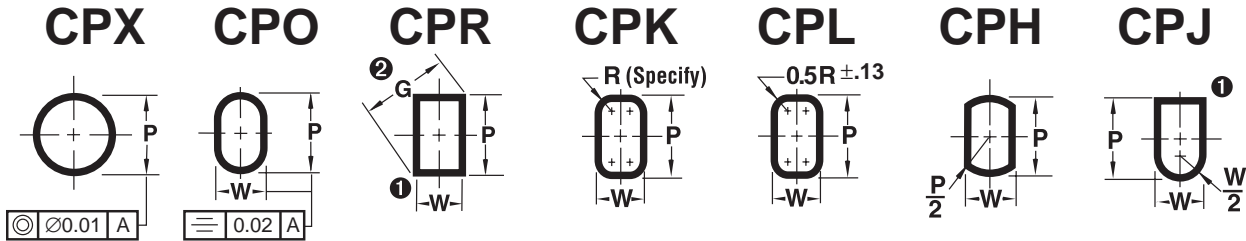
Material	HRC
A2 (HWS)	60-63
M2 (HSS)	60-63
PS	63-65
Head	40-55



Regular  
Punch Steel: A2 (Standard), M2 and PS – please specify when ordering



Stripper has 0.1 mm clearance around punch point.



- 1 Sharp corners are typical. To assure proper clearance, Dayton will provide standard broken corners if matrix is ordered with punch to eliminate interference with matrix fillet when total clearance is 0.08 or less.
- 2 Check your P&W dimensions to be sure the diagonal G does not exceed the max. shown. If G exceeds the max.

$$G = \sqrt{P^2 + W^2}$$

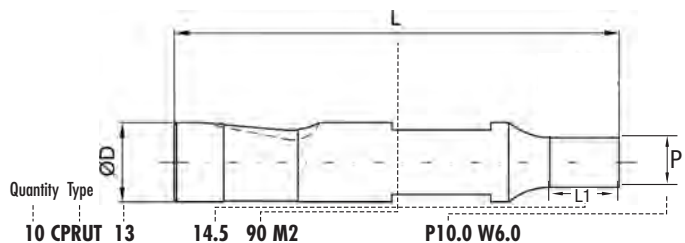
additional shapes available (on inquiry)

D	Point Length L1	Type & D	Range (Standard) P	Type & D	Shape		L2			D1	D2	D3
					Min. W	Max. P/G	L = 80	L = 90	L = 100			
10	14.5	CPXUT 10	2.10- 9.97	CP_UT 10	2.10- 9.97	24.8	34.8	44.8	10.2	22	20	
13	14.5	CPXUT 13	4.50-12.97	CP_UT 13	4.50-12.97	24.8	34.8	44.8	13.2	25	23	
16	14.5	CPXUT 16	6.00-15.97	CP_UT 16	6.00-15.97	24.8	34.8	44.8	16.2	28	26	
20	14.5	CPXUT 20	8.00-19.97	CP_UT 20	8.00-19.97	24.8	34.8	44.8	20.2	32	30	
25	14.5	CPXUT 25	13.10-24.97	CP_UT 25	13.10-24.97	24.8	34.8	44.8	25.2	38	36	

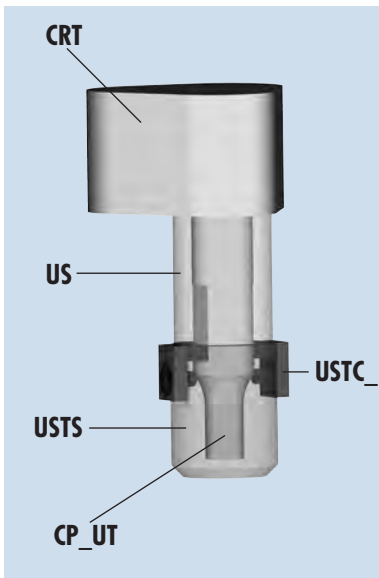
For replacement parts see page 2.1.1

## How to order:

Punch







Screw secure with loctite

D	L	Retainer	USTSX (round) Stripper	USTS_ (shape) Stripper	Polyurethane Spring	Force N	Stripping Stroke max. mm
10	80	CRT10	USTSX10	USTS_10	US10 24,8	1710	10
	90	CRT10	USTSX10	USTS_10	US10 34,8	1200	10
	100	CRT10	USTSX10	USTS_10	US10 44,8	940	10
13	80	CRT13	USTSX13	USTS_13	US13 24,8	1730	10
	90	CRT13	USTSX13	USTS_13	US13 34,8	1220	10
	100	CRT13	USTSX13	USTS_13	US13 44,8	960	10
16	80	CRT16	USTSX16	USTS_16	US16 24,8	2650	10
	90	CRT16	USTSX16	USTS_16	US16 34,8	1860	10
	100	CRT16	USTSX16	USTS_16	US16 44,8	1460	10
20	80	CRT20	USTSX20	USTS_20	US20 24,8	4390	10
	90	CRT20	USTSX20	USTS_20	US20 34,8	3070	10
	100	CRT20	USTSX20	USTS_20	US20 44,8	2410	10
25	80	CRT25	USTSX25	USTS_25	US25 24,8	5000	10
	90	CRT25	USTSX25	USTS_25	US25 34,8	3500	10
	100	CRT25	USTSX25	USTS_25	US25 44,8	2750	10

## Standard Alteration for UST Punches

**XN** DayTride® a unique wear resistant surface treatment for M2 and PS only.

**XNM** An exclusive PVD solidlubricant coating. It provides a combination of lubricity and wear resistance not available from other PVD or CVD techniques. Produces a coefficient of friction lower than other coatings. Available on M2 and PS.

**XNT** DAYTiN® Titanium Nitride coating for extra wear. For M2 and PS only.

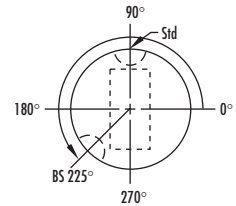
**XCN** TiCN® PVD coating ultra hardness (harder than carbide) and superior abrasive wear resistance. For M2 and PS only.

### Standard Ball Seat Locations

Standard Ball Seat Location is at 90°. Alternate locations of 0°, 180° or 270° can be specified at no additional cost.

### Custom Ball Seat Locations

Custom ball Seat Locations can be specified as BS and degree counter-clockwise from 0°.



### How to order:

Punch

USTS (Head)

US (Spring)

Clip

Assembly

**CPRUT 13 14.5 90 M2 P10.0 W6.0**

**USTSR 13 P10.0 W6.0\***

**US 13 34.8**

**USTC 1**

**CPRUA\*\* 13 14.5 90 M2 P10.0 W6.0\***

\* The steel stripper will be delivered with an allowance on P and W of 0.1 mm.

### \*\*Assembly order:



**Assembly: UST\_** (contains head USTS\_; urethane US and clips)

How to order: USTX 13 P10.5 US24.8  
USTO 16 P12.0 W9.3 U34.8



**Assembly: \_UA** (contains assembly UST\_; punch \_UT and polygon retainer)

How to order: CPRUA 13 14.5 90 M2 P10.0 W6.0



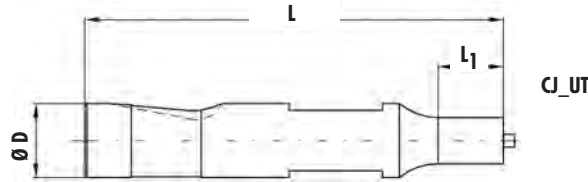
**Assembly: \_US** (contains assembly UST\_; punch \_UT without polygon retainer)

How to order: CPRUS 13 14.5 90 M2 P10.0 W6.0

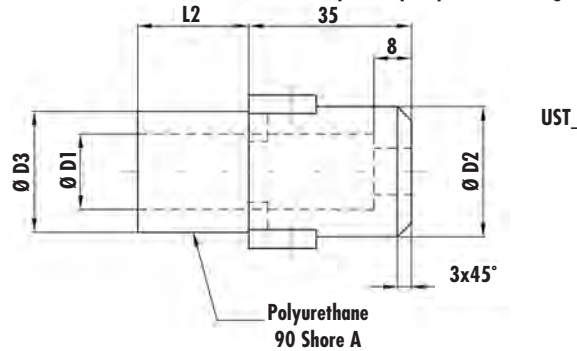


# STEEL STRIPPERS TYPE CJ\_ UA JEKTOLE®

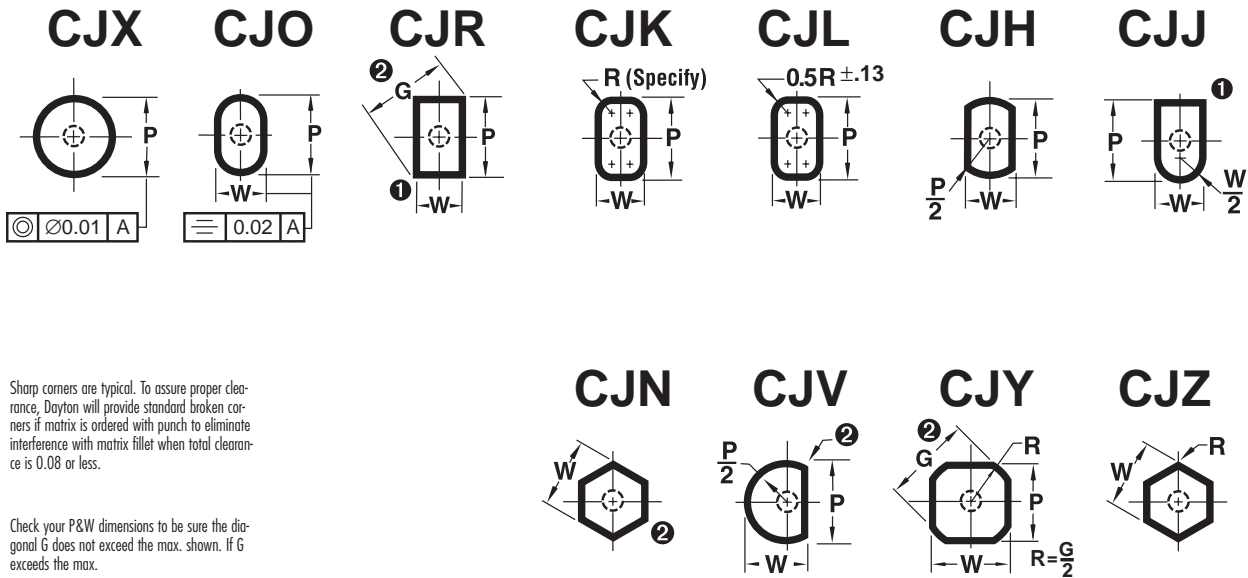
Material	HRC
A2 (HWS)	60-63
M2 (HSS)	60-63
PS	63-65
Head	40-55



Jektol®  
Punch Steel: A2 (Standard), M2 and PS – please specify when ordering



Stripper has 0.1 mm clearance around punch point.



1 Sharp corners are typical. To assure proper clearance, Dayton will provide standard broken corners if matrix is ordered with punch to eliminate interference with matrix fillet when total clearance is 0.08 or less.

2 Check your P&W dimensions to be sure the diagonal G does not exceed the max. shown. If G exceeds the max.

$$G = \sqrt{P^2 + W^2}$$

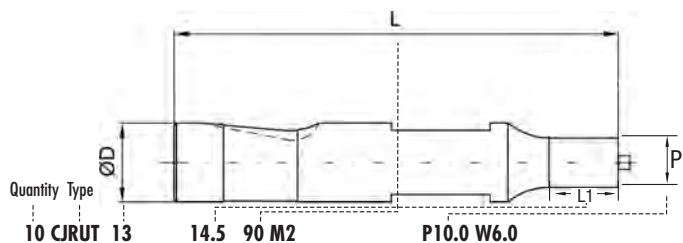
additional shapes available (on inquiry)

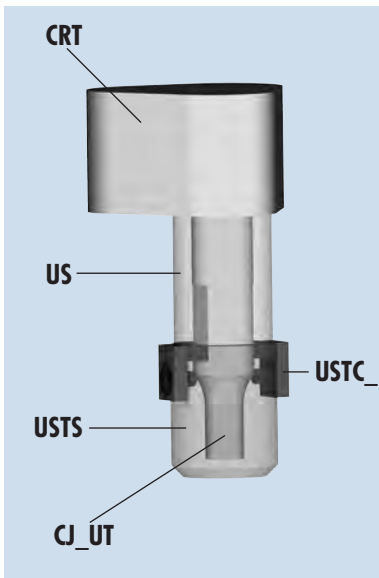
D	Point Length L1	Type & D	Range (Standard) P	Type & D	Shape			D1	D2	D3	
					Min. W	Max. P/G	L2				
10	14.5	CJXUT 10	2.10- 9.97	CJ_UT 10	2.10- 9.97	24.8	34.8	44.8	10.2	22	20
13	14.5	CJXUT 13	4.50-12.97	CJ_UT 13	4.50-12.97	24.8	34.8	44.8	13.2	25	23
16	14.5	CJXUT 16	6.00-15.97	CJ_UT 16	6.00-15.97	24.8	34.8	44.8	16.2	28	26
20	14.5	CJXUT 20	8.00-19.97	CJ_UT 20	8.00-19.97	24.8	34.8	44.8	20.2	32	30
25	14.5	CJXUT 25	13.10-24.97	CJ_UT 25	13.10-24.97	24.8	34.8	44.8	25.2	38	36

For replacement parts see page 2.1.1

## How to order:

Punch





Screw secure with loctite

D	L	Retainer	USTSX (round) Stripper	USTS_ (shape) Stripper	Polyurethane Spring	Force N	Stripping Stroke max. mm
10	80	CRT10	USTSX10	USTS_10	US10 24,8	1710	10
	90	CRT10	USTSX10	USTS_10	US10 34,8	1200	10
	100	CRT10	USTSX10	USTS_10	US10 44,8	940	10
13	80	CRT13	USTSX13	USTS_13	US13 24,8	1730	10
	90	CRT13	USTSX13	USTS_13	US13 34,8	1220	10
	100	CRT13	USTSX13	USTS_13	US13 44,8	960	10
16	80	CRT16	USTSX16	USTS_16	US16 24,8	2650	10
	90	CRT16	USTSX16	USTS_16	US16 34,8	1860	10
	100	CRT16	USTSX16	USTS_16	US16 44,8	1460	10
20	80	CRT20	USTSX20	USTS_20	US20 24,8	4390	10
	90	CRT20	USTSX20	USTS_20	US20 34,8	3070	10
	100	CRT20	USTSX20	USTS_20	US20 44,8	2410	10
25	80	CRT25	USTSX25	USTS_25	US25 24,8	5000	10
	90	CRT25	USTSX25	USTS_25	US25 34,8	3500	10
	100	CRT25	USTSX25	USTS_25	US25 44,8	2750	10

## Standard Alteration for UST Punches

**XN** DayTride® a unique wear resistant surface treatment for M2 and PS only.

**XNM** An exclusive PVD solidlubricant coating. It provides a combination of lubricity and wear resistance not available from other PVD or CVD techniques. Produces a coefficient of friction lower than other coatings. Available on M2 and PS.

**XNT** DAYTiN® Titanium Nitride coating for extra wear. For M2 and PS only.

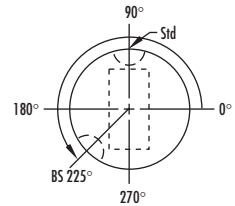
**XCN** TiCN® PVD coating ultra hardness (harder than carbide) and superior abrasive wear resistance. For M2 and PS only.

### Standard Ball Seat Locations

Standard Ball Seat Location is at 90°. Alternate locations of 0°, 180° or 270° can be specified at no additional cost.

### Custom Ball Seat Locations

Custom ball Seat Locations can be specified as BS and degree counter-clockwise from 0°.



### How to order:

Punch

**CJRUT 13 14.5 90 M2 P10.0 W6.0**

USTS (Head)

**USTSR 13 P10.0 W6.0\***

US (Spring)

**US 13 34.8**

Clip

**USTC 1**

Assembly

**CJRUA\*\* 13 14.5 90 M2 P10.0 W6.0\***

\* The steel stripper will be delivered with an allowance on P and W of 0.1 mm.

### \*\*Assembly order:



**Assembly: UST\_** (contains head USTS\_; urethane US and clips)

How to order: USTX 13 P10.5 US24.8  
USTO 16 P12.0 W9.3 U34.8



**Assembly: \_UA** (contains assembly UST\_; punch \_UT and polygon retainer)

How to order: CJRUA 13 14.5 90 M2 P10.0 W6.0



**Assembly: \_US** (contains assembly UST\_; punch \_UT without polygon retainer)

How to order: CJRUS 13 14.5 90 M2 P10.0 W6.0



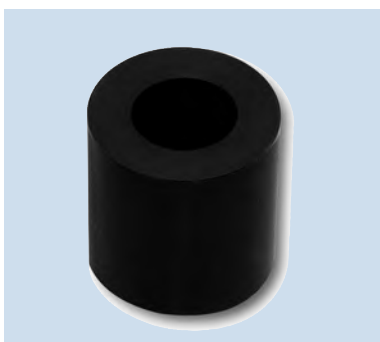
## REPLACEMENT PARTS



### Head USTS\_

D	Round	Shape
10	USTSX10	USTS_10
13	USTSX13	USTS_13
16	USTSX16	USTS_16
20	USTSX20	USTS_20
25	USTSX25	USTS_25

**How to order:** USTSX10 P7.8  
USTSR13 P10.0 W5.0



### Urethane US

D	US	L		
10	US10	24.8	34.8	44.8
13	US13	24.8	34.8	44.8
16	US16	24.8	34.8	44.8
20	US20	24.8	34.8	44.8
25	US25	24.8	34.8	44.8

**How to order:** US10 24.8  
US16 44.8



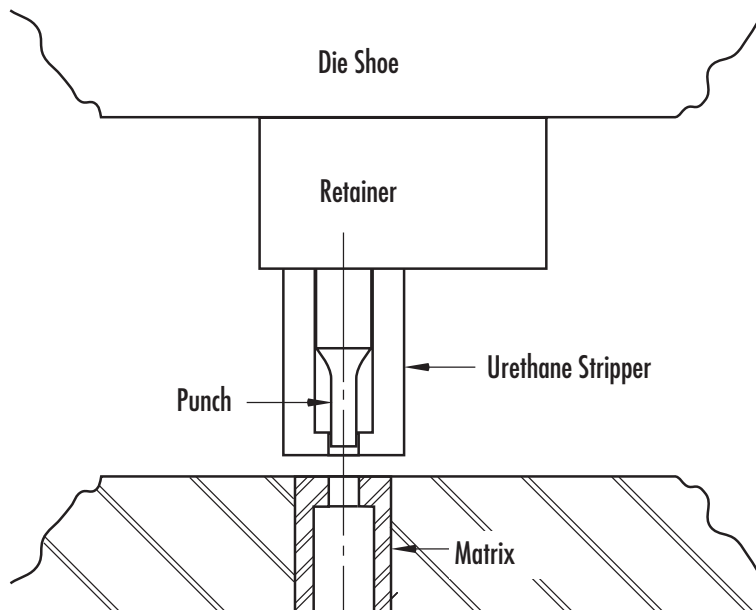
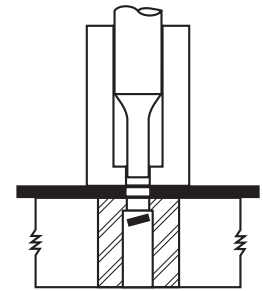
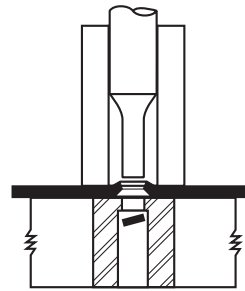
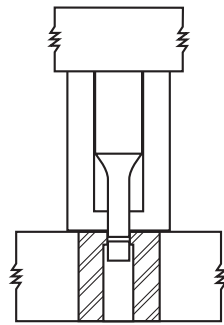
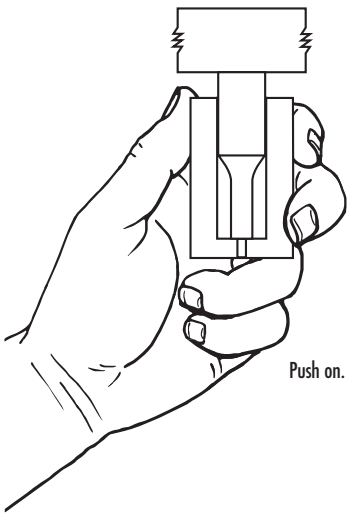
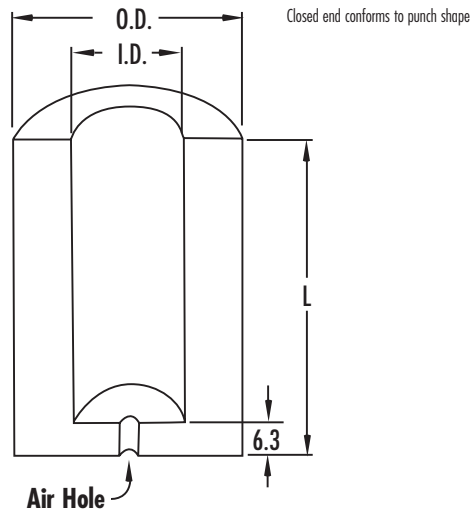
### Clips + Screws USTC

	D	Screw
USTC 1 (Overall size 1)	10	M4
	13	M4
	16	M4
USTC 2 (Overall size 2)	20	M6
	25	M6

**How to order:** USTC 1



# URETHANE STRIPPERS



I.D.	O.D.	L	Catalog Number	Pressure at Deflection of		
				3.0	6.5	9.5
06	19	45	USM-06-45	1324	2256	—
		53	USM-06-53	1079	1863	2354
		71	USM-06-71	686	1079	1765
08	21	45	USM-08-45	1471	2207	—
		53	USM-08-53	1324	1961	2942
		71	USM-08-71	981	1618	2648
10	23	45	USM-10-45	1716	2795	—
		53	USM-10-53	1422	2452	3187
		56	USM-10-56	1422	2452	3187
		71	USM-10-71	1128	2010	2697
13	26	45	USM-13-45	2109	3334	—
		53	USM-13-53	1471	2354	3432
		56	USM-13-56	1471	2354	2942
		71	USM-13-71	1275	1961	2452
16	30	45	USM-16-45	2354	3825	—
		53	USM-16-53	2158	3531	4511
		56	USM-16-56	2158	3531	4511
		71	USM-16-71	1814	2942	3825
20	38	45	USM-20-45	2452	3923	—
		53	USM-20-53	2158	3629	5590
		71	USM-20-71	1618	2942	4658
25	50	45	USM-25-45	9317	14318	—
		53	USM-25-53	7355	11572	15985
		71	USM-25-71	4904	8336	13485

Urethane hardness: 95 ± 5 Shore A  
 Max. Recommend Deflection: 15% of Overall Length.  
 (Pressure Ratings shown is Newtons)

### How to Order:

Specify: Quantity

10

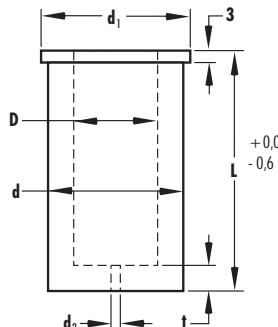
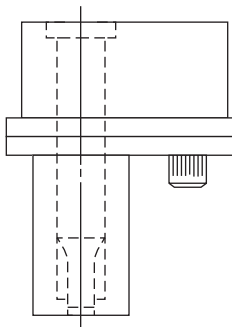
Catalog No.

USM-08-71

## Urethane Stripping Units Urethane Strippers UHM

Fits retainers with tapped dowel holes only, such as DAYTON® retainers ART, ARTS, BRT, CRT.

When using DAYTON® Ball Lock retainers these strippers fit Light Duty punch lengths 71, 80, 90, 100 and Heavy Duty punch lengths 80, 90, 100, 110. On DAYTON® Head Type retainers they fit punch lengths 71, 80, 90, 100.



D	d	d <sub>1</sub>	t	d <sub>2</sub>
10	18	21	6	1.6
13	23	26	6	3.0
16	28	31	6	3.0
20	33	36	7	3.0
25	40	43	7	3.0
32	50	55	7	3.0
38	60	65	8	3.0
40	60	65	8	3.0

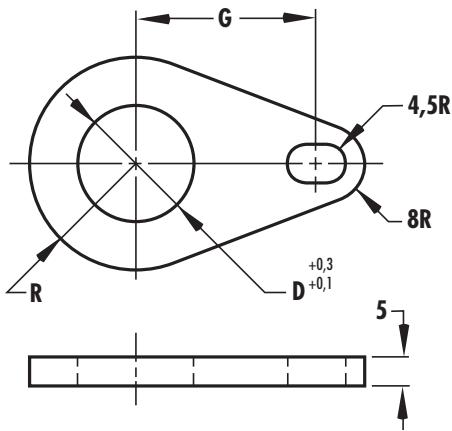


Catalog Number	D	L	Pressure at Deflection of		
			3	6	9
UHM-10-43	10	43	1060	2256	–
UHM-10-52		52	900	1650	2170
UHM-10-63		63	720	1450	1860
UHM-10-72		72	570	1280	1610
UHM-13-43	13	43	1700	2850	–
UHM-13-52		52	1460	2610	3410
UHM-13-63		63	1170	2320	2910
UHM-13-72		72	930	2080	2500
UHM-16-43	16	43	2310	3900	–
UHM-16-52		52	1990	3560	4640
UHM-16-63		63	1590	3150	3980
UHM-16-72		72	1270	2810	3440
UHM-20-43	20	43	2900	4900	–
UHM-20-52		52	2500	4470	5820
UHM-20-63		63	2000	3950	5000
UHM-20-72		72	1590	3420	4330

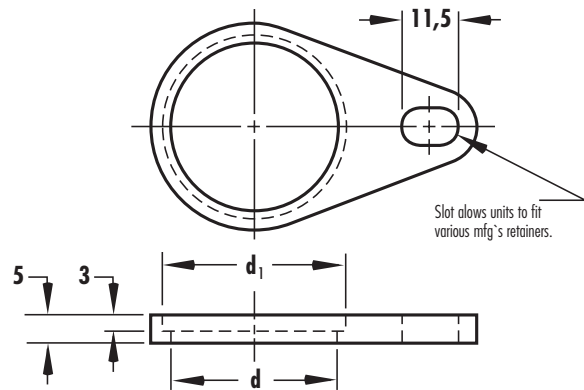
Catalog Number	D	L	Pressure at Deflection of		
			3	6	9
UHM-25-43	25	43	4440	7520	–
UHM-25-52		52	3810	6860	8780
UHM-25-63		63	3050	6050	7680
UHM-25-72		72	2420	5390	6780
UHM-32-43	32	43	6840	11390	–
UHM-32-52		52	5880	10450	13300
UHM-32-63		63	4700	9310	11640
UHM-32-72		72	3740	8370	10280
UHM-38-52	38	52	9480	19330	29720
UHM-38-72		72	5950	11630	18160
UHM-40-43	40	43	10160	20190	–
UHM-40-52		52	8650	17300	25960
UHM-40-63		63	6890	13780	20670

Urethane hardness: 95 ± 5 Shore A  
 Max. Recommend Deflection: 15% of Overall Length.  
 (Pressure Ratings shown is Newtons)

## Backing Plates UBR



## Retaining Plates URP



Catalog No.		D	d	d <sub>1</sub>	R	G	UBP, URB Set
Backing Pl.	Retaining Pl.						EDP No.
UBP10	URP10	10	19	22	13.0	28.0	748579
UBP13	URP13	13	24	27	15.5	31.0	748587
UBP16	URP16	16	29	32	18.0	32.9	748595
UBP20	URP20	20	34	37	20.5	34.8	748609
UBP25	URP25	25	41	44	24.0	39.8	748617
UBP32	URP32	32	51	56	31.0	41.3	748625
UBP38	URP38	38	61	66	36.0	45.0	748633
UBP40	URP40	40	61	66	36.0	45.0	748641

### How to Order:

Specify: Quantity

Catalog No.

12

UHM-16-63

12

748595



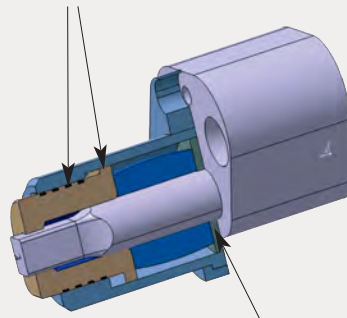
# DAY<sup>TM</sup>Strip



Weltweit führend  
in der Herstellung  
von Stanzlösungen

[www.daytonprogress.uk](http://www.daytonprogress.uk)

**Doppelte Führung mit Festschmierstoff** ist Garant für eine präzise Führung mit langer Lebensdauer! Durch die D-Form des Einsatzes werden besonders robuste Führungsflächen erreicht. A precise double guide with a graphite solid lubricant ensures a longer life. The D-Form insert offers greater accuracy.



### Zentriering

Zur genauen Positionierung des DAYStrip zum Lochstempel Tol  $\pm 0,05$  mm.

### Centering

For perfect positioning of the punch, DAYStrip has a tolerance of  $\pm 0,05$  mm.

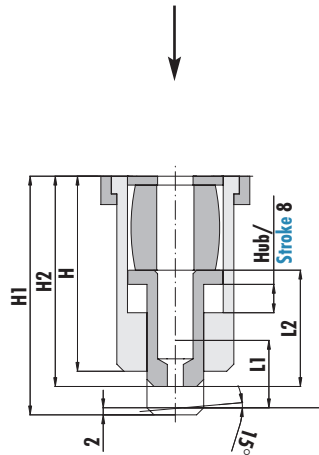


Dieser Abstreifer zeichnet sich durch seine Robustheit, lange Lebensdauer, hohe Abstreifkraft und durch seine solide Qualität aus. Für verschiedene Stempel/Halteplattenpaarungen sind drei verschiedene Baugrößen erhältlich.

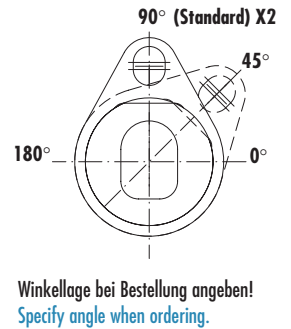
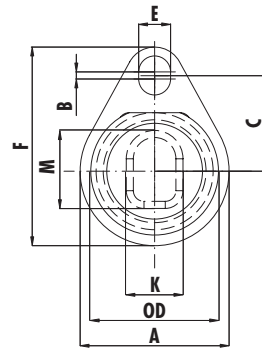
Individuell nach Kundenwunsch kann der DAYStrip als Halbzeug, mit Beschnittkontur und auch mit 3D Geometrie geliefert werden. Mehr Informationen zu DAYStrip finden Sie auf den folgenden Katalogseiten.

Long life, high stripping force, and solid quality make DAYStrip the ideal stripper. Three different sizes are available to fit most Dayton Progress retainers. DAYStrip can be specially ordered as semifinished material, with trimming outline, as well as with a contour to the stripping face.

# DAYStrip

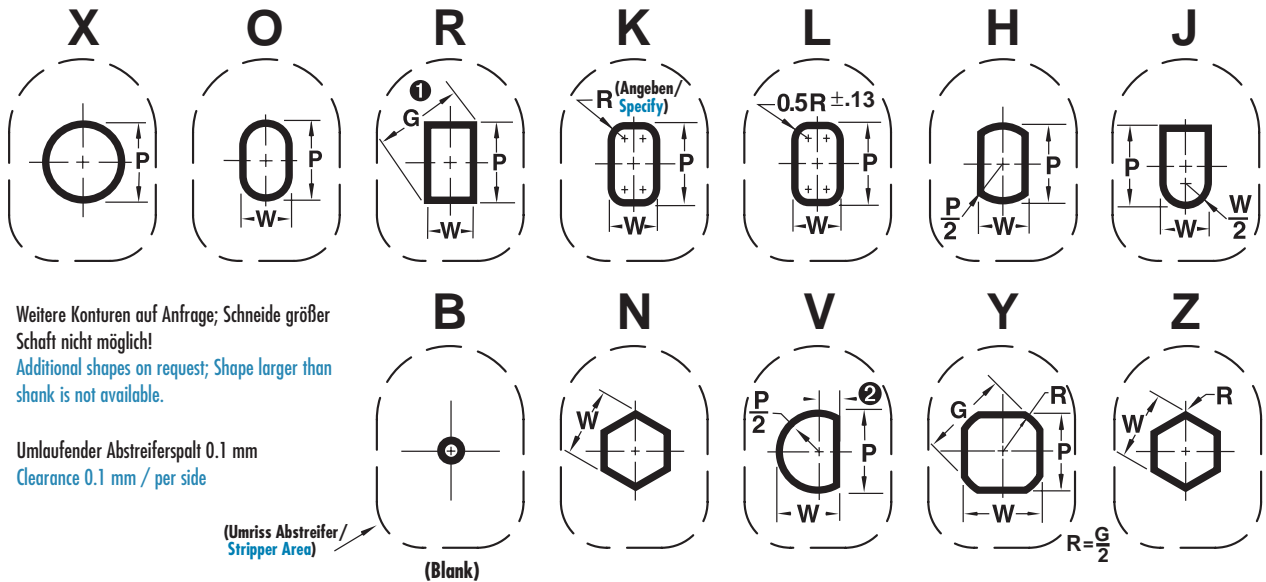


Ansichten in Pfeilrichtung / Bestellbeispiele siehe Blatt 3.9.5  
Views looking down/see order examples on page 3.9.5



Max Schrägbelastung 15°  
Max angle 15°

Standardwinkel in 15°-Schritten gestuft  
angle may be defined in 15° steps



Weitere Konturen auf Anfrage; Schneide größer Schaft nicht möglich!  
Additional shapes on request; Shape larger than shank is not available.

Umlaufender Abstreiferspalt 0.1 mm  
Clearance 0.1 mm / per side

Für die unterschiedlichen Halteplatten/Stempelpaarungen stehen drei Ausführungen des DAYStrip zur Verfügung (siehe Tabelle)

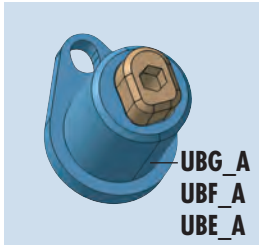
Three types of DAYStrip are available for various types of retainers.

Halteplatte Retainer	Stempellänge Punch Length	H	H1	L1	L2 min.	DAYStrip Typ			max. Hub
						UBG_A	UBF_A	UBE_A	Max Stroke
ART/ARTS	80	45	56,3	19	22	•			8
ART/ARTS	90	45	66,3	19	32		•		8
CRT	80	45	56,3	19	22	•			8
CRT	90	45	66,3	19	32		•		8
BRT/BRTBS	90	45	56,3	19	22	•			8
BRT/BRTBS	100	55	66,3	19	32			•	8

Die Rohlingslänge L2 beträgt 35 bzw. 45 mm und kann nach Kundenwunsch gekürzt werden.

The L2 blank length of 35 and 45 mm can be shortened upon request.

Stempelschaftdurchmesser Shank Diameter D	A	B	C	F	OD	K	M	E	Kraft/Force N
10	42	2	27,00	56	33	16	22	9	1579
13	48	2	29,97	62	38	20	27	9	2246
16	52	2	31,75	66	43	23	32	9	2713
20	60	2	33,53	73	50	30	36	9	3345
25	70	2	40,64	83	60	40	46	9	5710
32	74	2	41,14	95	68	45	50	9	3630
38	84	2	44,49	95	77	50	54	9	5260
40	84	2	44,49	95	77	50	54	9	5260



#### Abstreifer Typ UBG\_A mit Kontur/Assembly Type UBG\_A with Shape

D	Typ Type	Bereich/Range P	Typ Type	Form/Shape		L 2	L 2 min.*
				Min. W	Max. P/G		
10	UBGXA	2,10 – 9,97	UBG_A	2,10	9,97	35	22
13	UBGXA	4,50 – 12,97	UBG_A	4,50	12,97	35	22
16	UBGXA	6,00 – 15,97	UBG_A	6,00	15,97	35	22
20	UBGXA	8,00 – 19,97	UBG_A	8,00	19,97	35	22
25	UBGXA	10,00 – 24,97	UBG_A	10,00	24,97	35	22
32	UBGXA	12,50 – 31,97	UBG_A	12,50	31,97	35	22
38	UBGXA	14,00 – 37,97	UBG_A	14,00	37,97	35	22
40	UBGXA	14,00 – 39,97	UBG_A	14,00	39,97	35	22

#### Abstreifer Typ UBF\_A mit Kontur/Assembly Type UBF\_A with Shape

D	Typ Type	Bereich/Range P	Typ Type	Form/Shape		L 2	L 2 min.*
				Min. W	Max. P/G		
10	UBFXA	2,10 – 9,97	UBF_A	2,10	9,97	45	32
13	UBFXA	4,50 – 12,97	UBF_A	4,50	12,97	45	32
16	UBFXA	6,00 – 15,97	UBF_A	6,00	15,97	45	32
20	UBFXA	8,00 – 19,97	UBF_A	8,00	19,97	45	32
25	UBFXA	10,00 – 24,97	UBF_A	10,00	24,97	45	32
32	UBFXA	12,50 – 31,97	UBF_A	12,50	31,97	45	32
38	UBFXA	14,00 – 37,97	UBF_A	14,00	37,97	45	32
40	UBFXA	14,00 – 39,97	UBF_A	14,00	39,97	45	32

#### Abstreifer Typ UBE\_A mit Kontur/Assembly Type UBE\_A with Shape

D	Typ Type	Bereich/Range P	Typ Type	Form/Shape		L 2	L 2 min.*
				Min. W	Max. P/G		
10	UBEXA	2,10 – 9,97	UBE_A	2,10	9,97	45	32
13	UBEXA	4,50 – 12,97	UBE_A	4,50	12,97	45	32
16	UBEXA	6,00 – 15,97	UBE_A	6,00	15,97	45	32
20	UBEXA	8,00 – 19,97	UBE_A	8,00	19,97	45	32
25	UBEXA	10,00 – 24,97	UBE_A	10,00	24,97	45	32
32	UBEXA	12,50 – 31,97	UBE_A	12,50	31,97	45	32
38	UBEXA	14,00 – 37,97	UBE_A	14,00	37,97	45	32
40	UBEXA	14,00 – 39,97	UBE_A	14,00	39,97	45	32

\*L2 bei Bestellung angeben / Specify L2 when ordering

## Bestellinformationen

Alle Winkellagen werden in Stanzrichtung definiert.  
Da zwischen den Systemen BallLock und PressFit ein Unterschied in den Winkeldefinitionen ist, muß auch bei der Bestellung des DAYStrip dieser Unterschied und der eingesetzte Stempel bei der Definition berücksichtigt werden.  
Die standard Winkelschritte betragen 15°.  
Eine Aufstellung der entsprechenden Winkel finden Sie in folgender Tabelle:

BallLock Stempel/Punch	DAYStrip	BallLock Stempel/Punch	DAYStrip
BS 0°	X2 0°	BS 180°	X2 180°
BS 15°	X5 15°	BS 195°	X5 195°
BS 30°	X5 30°	BS 210°	X5 210°
BS 45°	X5 45°	BS 225°	X5 225°
BS 60°	X5 60°	BS 240°	X5 240°
BS 75°	X5 75°	BS 255°	X5 255°
BS 90°	X2 90°	BS 270°	X2 270°
BS 105°	X5 105°	BS 285°	X5 285°
BS 120°	X5 120°	BS 300°	X5 300°
BS 135°	X5 135°	BS 315°	X5 315°
BS 150°	X5 150°	BS 330°	X5 330°
BS 165°	X5 165°	BS 345°	X5 345°

## Ordering Information

All angles are defined for reflected views of the punch.  
DAYStrip must be configured with different angles for Ball Lock and Press Fit punches.  
Standard angles are available in 15° steps.  
Possible angles appear in the following table:

PressFit Stempel/Punch	DAYStrip	PressFit Stempel/Punch	DAYStrip
X2 0°	X2 270°	X2 180°	X2 90°
X5 15°	X5 285°	X5 195°	X5 105°
X5 30°	X5 300°	X5 210°	X5 120°
X5 45°	X5 315°	X5 225°	X5 135°
X5 60°	X5 330°	X5 240°	X5 150°
X5 75°	X5 345°	X5 255°	X5 165°
X2 90°	X2 0°	X2 270°	X2 180°
X5 105°	X5 15°	X5 285°	X5 195°
X5 120°	X5 30°	X5 300°	X5 210°
X5 135°	X5 45°	X5 315°	X5 225°
X5 150°	X5 60°	X5 330°	X5 240°
X5 165°	X5 75°	X5 345°	X5 255°

Bestellbeispiel/Order Example BallLock

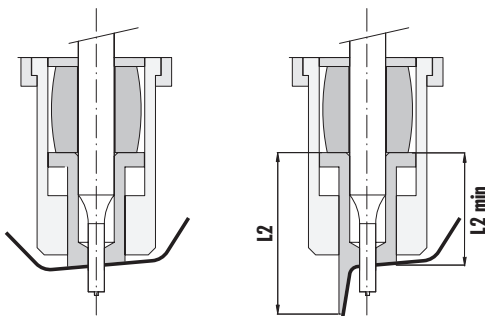
Stempel/punch: BJO 13 1990 M2 P10.0 W4.4 BS 60°  
DAYStrip: UBGOA 13 P10.0 W4.4 X5 60° L2 22\*\*

Bestellbeispiel/Order Example PressFit

Stempel/punch: AJR 16 1990 M2 P11.80 W6.7 X5 105°  
DAYStrip: UBFRA 16 P11.80 W6.7 X5 15° L2 32\*\*

\*\*L2: Bronze-Graphit Einsatz nach Kundenwunsch gekürzt (L2 min. nicht unterschreiten) / Bei Bestellung immer angeben!  
Bronze-Graphite insert shorter than standard (L2 min. Note the minimum lengths) /specify when ordering!

## Abstreifer mit Teileform / Stripper with Part Surface



Für Stripper-Einsätze mit Teilekontur stehen Rohlinge mit den Längen 35 und 45 mm\* zur Verfügung. Diese Einsätze können individuell nach 3D-Kundendaten bearbeitet ausgeliefert werden. Die max. Schrägbelastung darf 15° nicht übersteigen! L2 min nicht unterschreiten.  
Contoured stripper inserts are available in lengths of 35 and 45 mm.  
The insert is manufactured to specifications in your CAD file or drawing/print. The maximum angle is 15°.  
Note the minimum lengths.

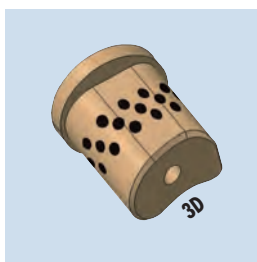
\* wählbare Rohlingslänge siehe Tabelle Seite 3.2.2 / See page 3.2.2 for available blanks

## Bronze-Graphit Einsatz/Bronze-Graphite Insert



Bronze-Graphit Einsatz L2 = 35/Bronze-Graphite Insert L2 = 35

D	Typ Type	Bereich/Range P	Typ Type	Form/Shape		L 2	L2 min.
				Min. W	Max. P/G		
10	UBGX	2,10 – 9,97	UBG_	2,10 – 9,97		35	22
13	UBGX	4,50 – 12,97	UBG_	4,50 – 12,97		35	22
16	UBGX	6,00 – 15,97	UBG_	6,00 – 15,97		35	22
20	UBGX	8,00 – 19,97	UBG_	8,00 – 19,97		35	22
25	UBGX	10,00 – 24,97	UBG_	10,00 – 24,97		35	22
32	UBGX	12,50 – 31,97	UBG_	12,50 – 31,97		35	22
38	UBGX	14,00 – 37,97	UBG_	14,00 – 37,97		35	22
40	UBGX	14,00 – 39,97	UBG_	14,00 – 39,97		35	22



Bronze-Graphit Einsatz L2 = 45/Bronze-Graphite Insert L2 = 45

D	Typ Type	Bereich/Range P	Typ Type	Form/Shape		L 2	L2 min
				Min. W	Max. P/G		
10	UBFX	2,10 – 9,97	UBF_	2,10 – 9,97		45	32
13	UBFX	4,50 – 12,97	UBF_	4,50 – 12,97		45	32
16	UBFX	6,00 – 15,97	UBF_	6,00 – 15,97		45	32
20	UBFX	8,00 – 19,97	UBF_	8,00 – 19,97		45	32
25	UBFX	10,00 – 24,97	UBF_	10,00 – 24,97		45	32
32	UBFX	12,50 – 31,97	UBF_	12,50 – 31,97		45	32
38	UBFX	14,00 – 37,97	UBF_	14,00 – 37,97		45	32
40	UBFX	14,00 – 39,97	UBF_	14,00 – 39,97		45	32

L2 Einsetzbar für folgende Paarungen/Available for these combinations

L2	Halteplatte Typ Retainer Type	Stempellänge Punch Lengths	Bestell-Nummer Order
35	CRT	80	UBG_
45	CRT	90	UBF_
35	BRT	90	UBG_
45	BRT	100	UBF_
35	ART/ARTS	80	UBG_
45	ART/ARTS	90	UBF_

### Bronze-Graphit Einsatz mit Stempelform Bronze-Graphite Insert with shape

Bestellbeispiel/How to Order: UBGR 13 P10.0 W5.0 L2 25\*\*

### Bronze-Graphit Einsatz ohne Stempelform Bronze-Graphite Insert without shape

Bestellbeispiel/How to Order: UBFB 13 L2 45

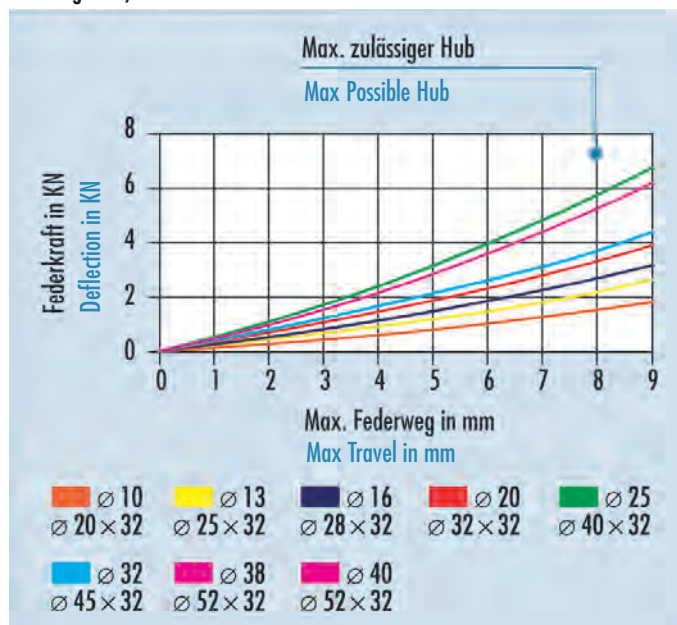
\*\*L2: Bronze-Graphit Einsatz nach Kundenwunsch gekürzt (L2 min. nicht unterschreiten)  
Bronze-Graphite Insert shorter than standard (L2 min. Note minimum lengths)

### Urethan/Urethane

D	Typ Type	Größe Size	Kraft/Force N
10	UU 10	20 x 32	1579
13	UU 13	25 x 32	2246
16	UU 16	28 x 32	2713
20	UU 20	32 x 32	3345
25	UU 25	40 x 32	5710
32	UU 32	45 x 32	3630
38	UU 38	52 x 32	5260
40	UU 40	52 x 32	5260

Bestellbeispiel/How to order: UU 13

### Federdiagramm/Deflection Chart



### Definition der Winkellagen beim BallLock-System

Alle Winkellagen werden in Stanzrichtung definiert. Dabei ist darauf zu achten, dass der angegebene Winkel im Bestelltext sich immer auf den Stempel bezieht.

Beim BallLock System ist die Ausrichtung der Befestigungsschraube und somit auch der Verdrehfläche des DAYStrip immer in Richtung der Kugel. Wird ein anderer Winkel angegeben so dreht sich die Außenkontur des Bronze-Graphit Einsatzes zusammen mit der Kontur. Ein Verdrehen der Schnittkontur zur Außenkontur des BG-Einsatzes ist nur als Sonderteil nach Zeichnung bestellbar.

Standardwinkellagen sind in 15°-Schritten gestuft.

Zwischenwinkel auf Anfrage möglich.

### Assemblies for the Ball Lock-System

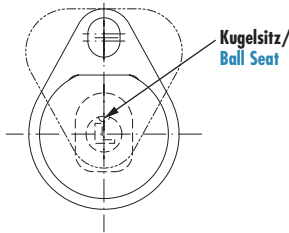
All angles are defined for reflected views of the punch.

The head flat of the DAYStrip aligns with the ball seat. If a different angle is defined, the outer shape of the Bronze-Graphite Insert rotates with the shape.

A rotation of the cutting shape to the outer shape of the Bronze-Graphite Insert can be ordered as a special item based on your drawing or print.

Standard angles are available in 15° steps.

Intermediate angles are also possible.



Bestellnummer DAYStrip/

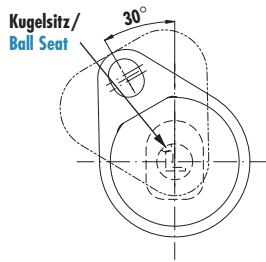
How to Order DAYStrip:

UBGCA 16 C81 P6.0 W5.5 A2 B1 PP2.57 WW2.5 X2 90° L2 22

Bestellnummer Stempel/

How to Order punch:

BPC 16 1990 M2 C81 P6.0 W5.5 A2 B1 PP2.57 WW2.5



Bestellnummer DAYStrip/

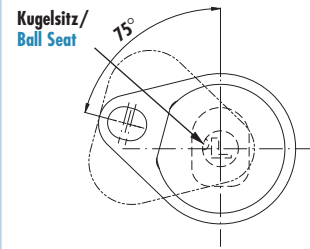
How to Order DAYStrip:

UBGCA 16 C81 P6.0 W5.5 A2 B1 PP2.57 WW2.5 X5 120° L2 22

Bestellnummer Stempel/

How to Order punch:

BPC 16 1990 M2 C81 P6.0 W5.5 A2 B1 PP2.57 WW2.5 BS 120°



Bestellnummer DAYStrip/

How to Order DAYStrip:

UBGCA 16 C81 P6.0 W5.5 A2 B1 PP2.57 WW2.5 X5 165° L2 22

Bestellnummer Stempel/

How to Order punch:

BPC 16 1990 M2 C81 P6.0 W5.5 A2 B1 PP2.57 WW2.5 BS 165°

### Definition der Winkellagen beim PressFit-System

Alle Winkellagen werden in Stanzrichtung definiert. Dabei ist darauf zu achten, dass der angegebene Winkel im Bestelltext sich immer auf den Stempel bezieht.

Beim PressFit System ist die Ausrichtung der Befestigungsschraube und somit auch der Verdrehfläche des DAYStrip immer 90° zur Verdrehfläche des Stempels.

Wird ein anderer Winkel angegeben so dreht sich die Außenkontur des Bronze-Graphit Einsatzes zusammen mit der Kontur. Ein Verdrehen der Schnittkontur zur Außenkontur des BG-Einsatzes ist nur als Sonderteil nach Zeichnung bestellbar.

Standardwinkellagen sind in 15°-Schritten gestuft.

Zwischenwinkel auf Anfrage möglich.

### Assemblies for the Press Fit-System

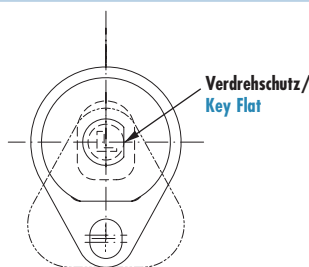
All angles are defined for reflected views of the punch.

The head flat of the DAYStrip is 90° to the key flat of the punch. If a different angle is defined, the outer shape of the Bronze-Graphite Insert rotates with the shape.

A rotation of the cutting shape to the outer shape of the Bronze-Graphite-Insert can be ordered as a special item based on your drawing or print.

Standard angles are available in 15° steps.

Intermediate angles are also possible.



Bestellnummer DAYStrip/

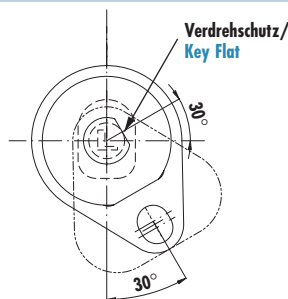
How to Order DAYStrip:

UBFCA 16 C81 P6.0 W5.5 A2 B1 PP2.57 WW2.5 X2 270° L2 22

Bestellnummer Stempel/

How to Order punch:

APC 16 1990 M2 C81 P6.0 W5.5 A2 B1 PP2.57 WW2.5



Bestellnummer DAYStrip/

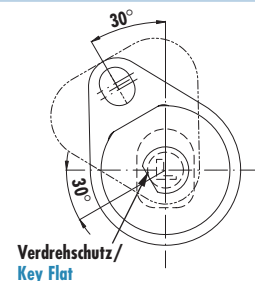
How to Order DAYStrip:

UBGCA 16 C81 P6.0 W5.5 A2 B1 PP2.57 WW2.5 X5 300° L2 22

Bestellnummer Stempel/

How to Order punch:

APC 16 1990 M2 C81 P6.0 W5.5 A2 B1 PP2.57 WW2.5 X5 30°



Bestellnummer DAYStrip/

How to Order DAYStrip:

UBGCA 16 C81 P6.0 W5.5 A2 B1 PP2.57 WW2.5 X5 120° L2 22

Bestellnummer Stempel/

How to Order punch:

APC 16 1990 M2 C81 P6.0 W5.5 A2 B1 PP2.57 WW2.5 X5 210°